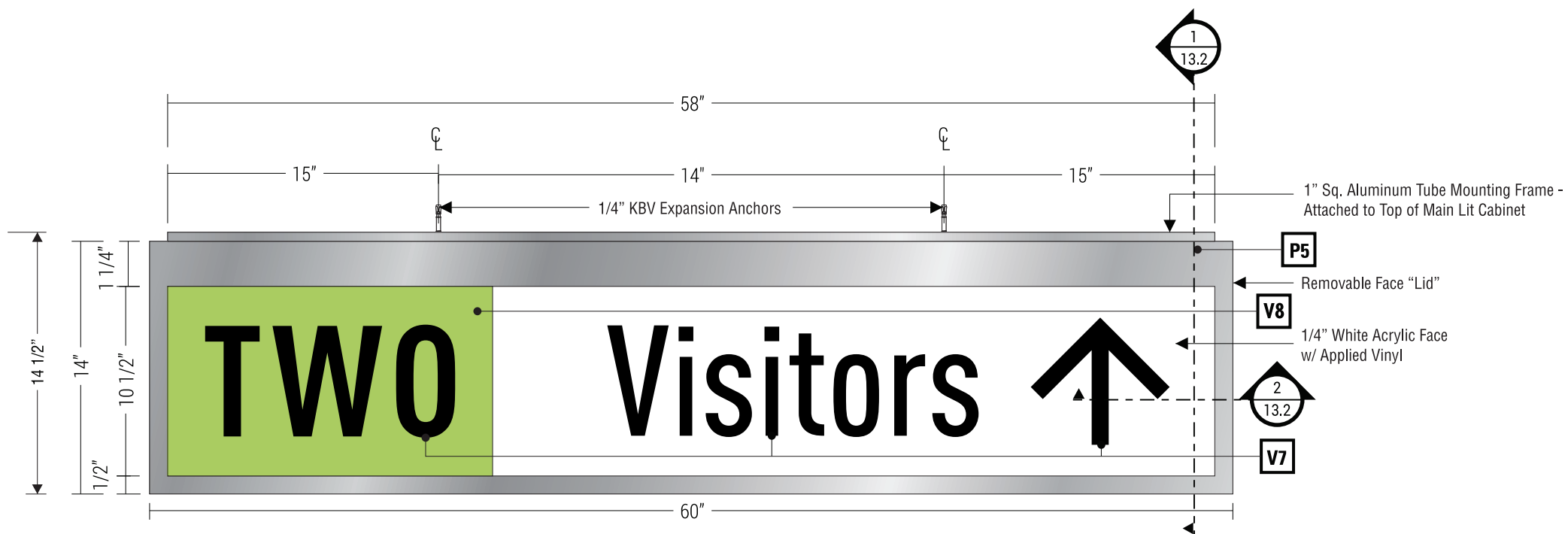
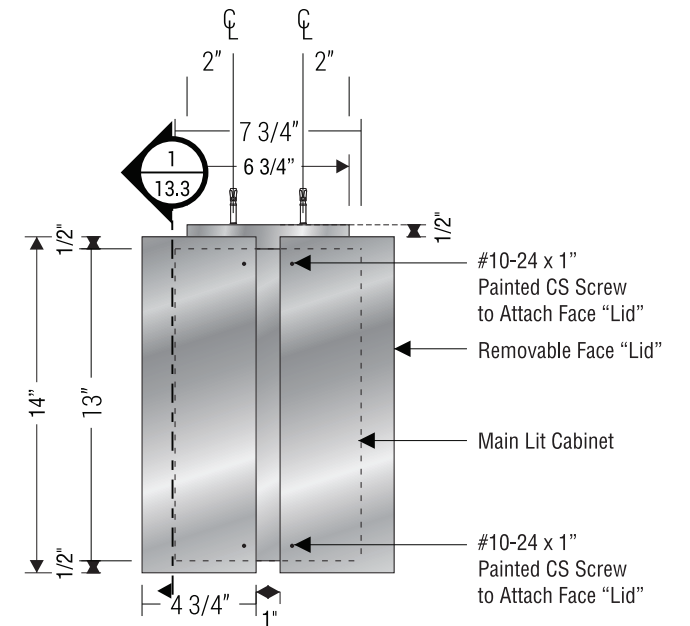


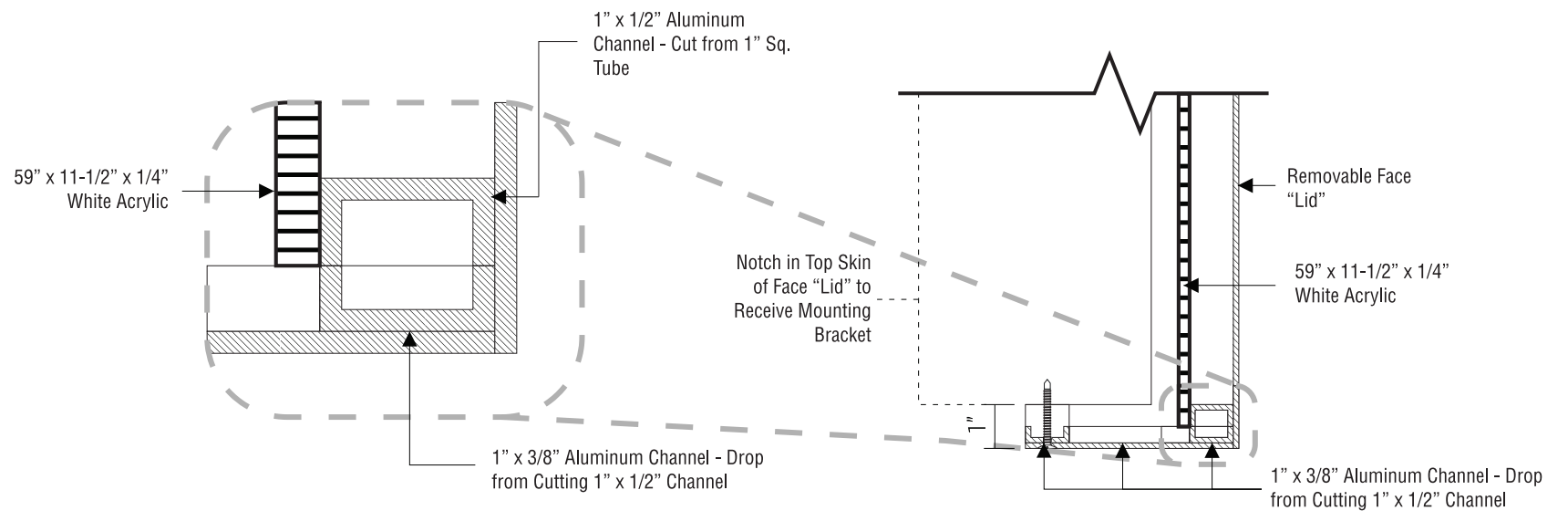
① PLAN VIEW  
13.0 Scale: 1-1/2" = 1'-0"



② ELEVATION - Side A  
13.0 Scale: 1-1/2" = 1'-0"

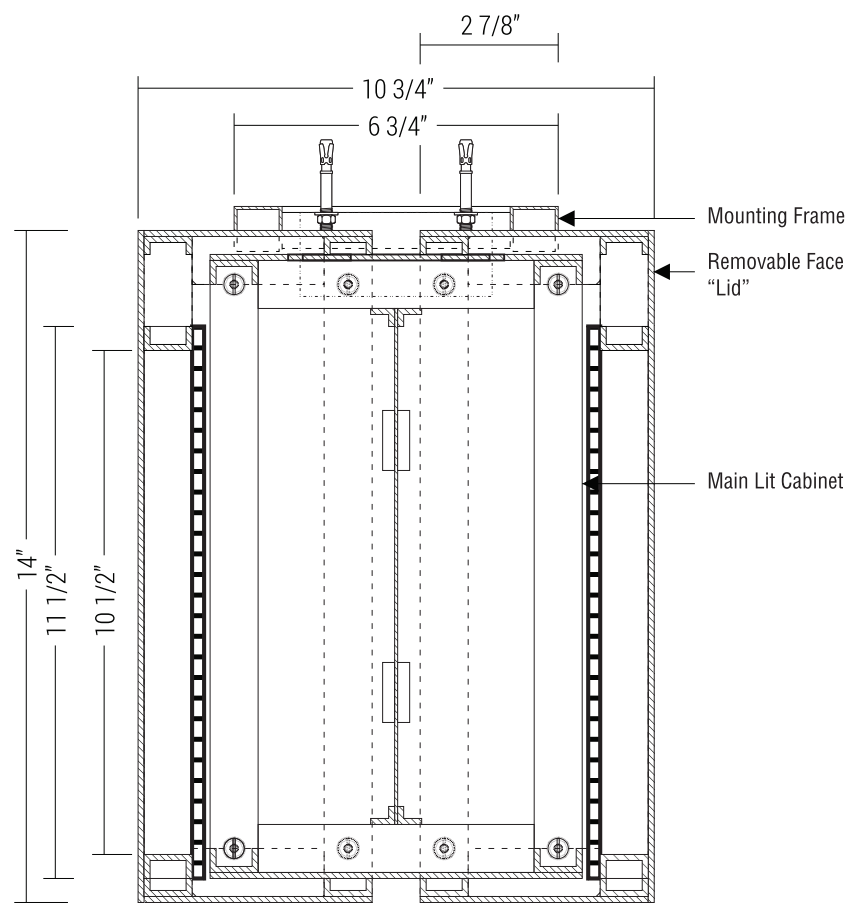


③ END VIEW  
13.0 Scale: 1-1/2" = 1'-0"

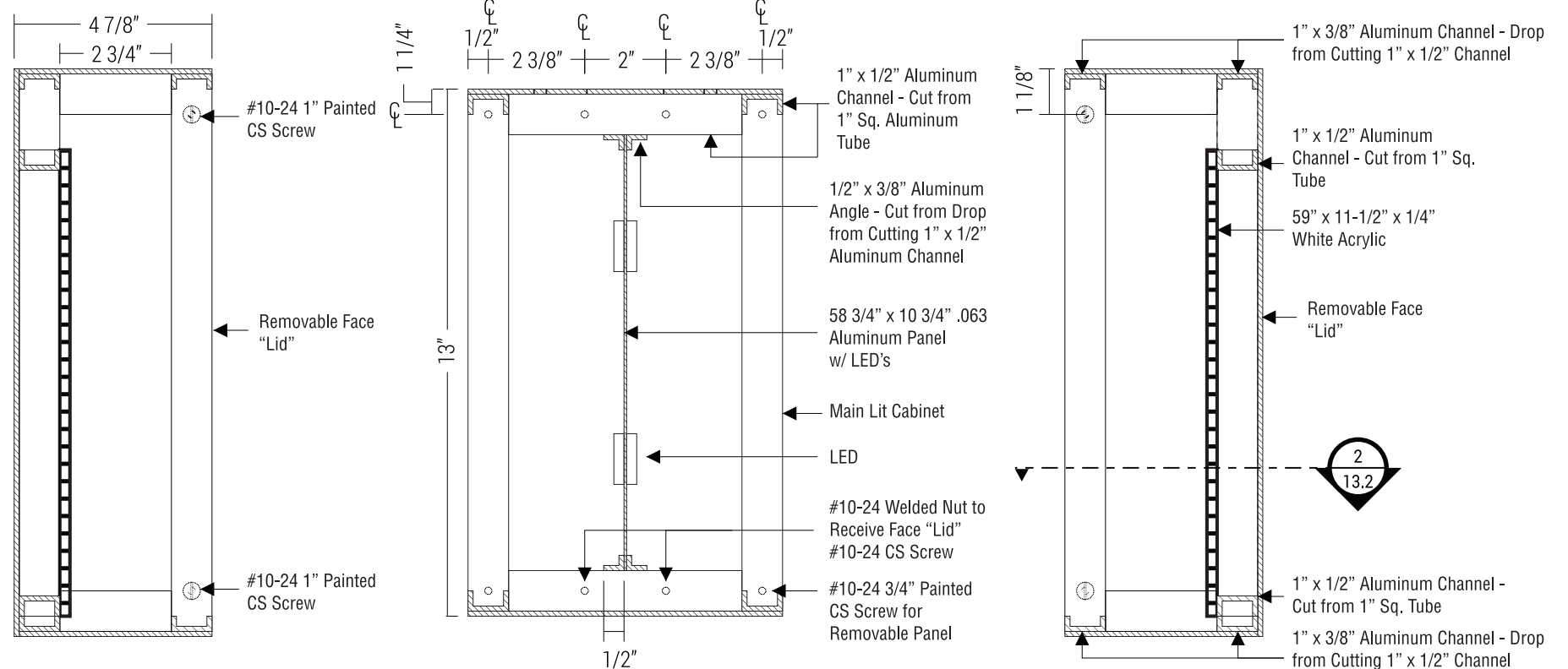
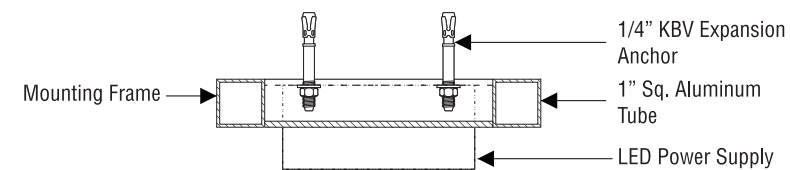


3 CUT SECTION - DETAIL  
13.2 Scale: 1:1

2 CUT SECTION - FACE LID  
13.2 Scale: 3" = 1'-0"

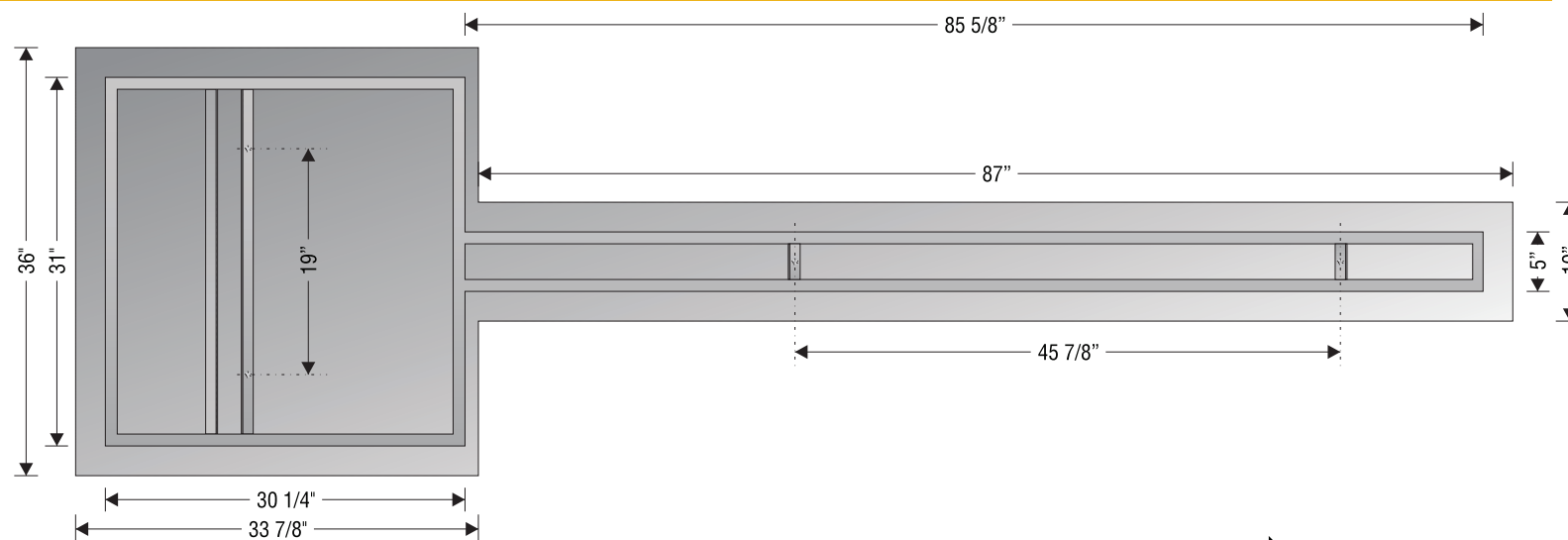


1 CUT SECTION - COMBINED PARTS  
13.2 Scale: 3" = 1'-0"

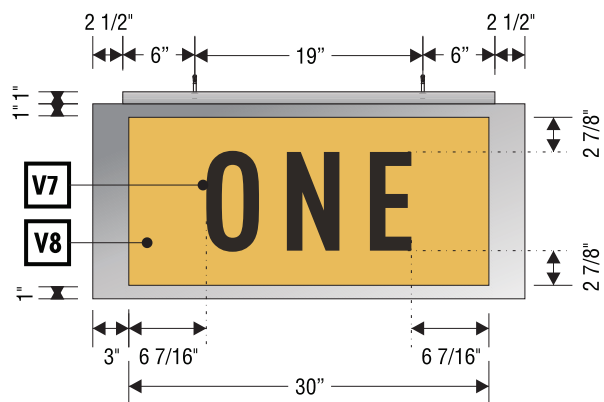


1 CUT SECTION - EXPLODED PARTS  
13.2 Scale: 3" = 1'-0"

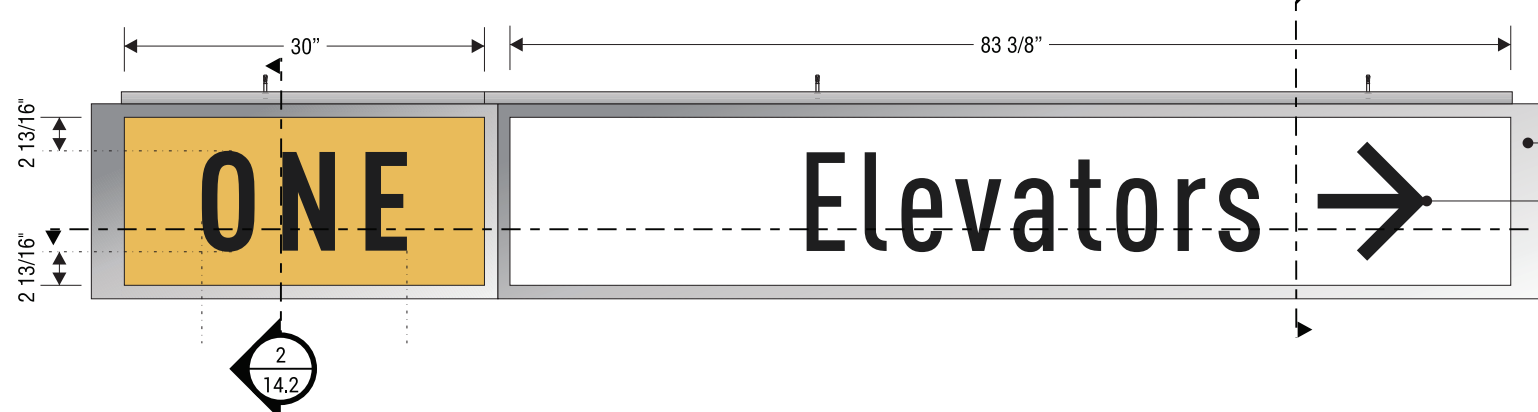




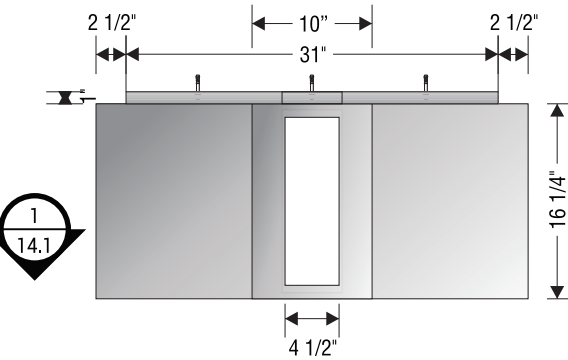
**1 PLAN VIEW**  
14.0 Scale: 3/4" = 1'-0"



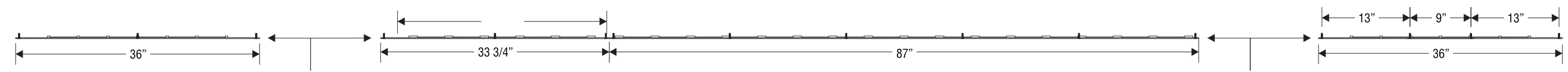
**4 LEFT END VIEW**  
14.0 Scale: 3/4" = 1'-0"



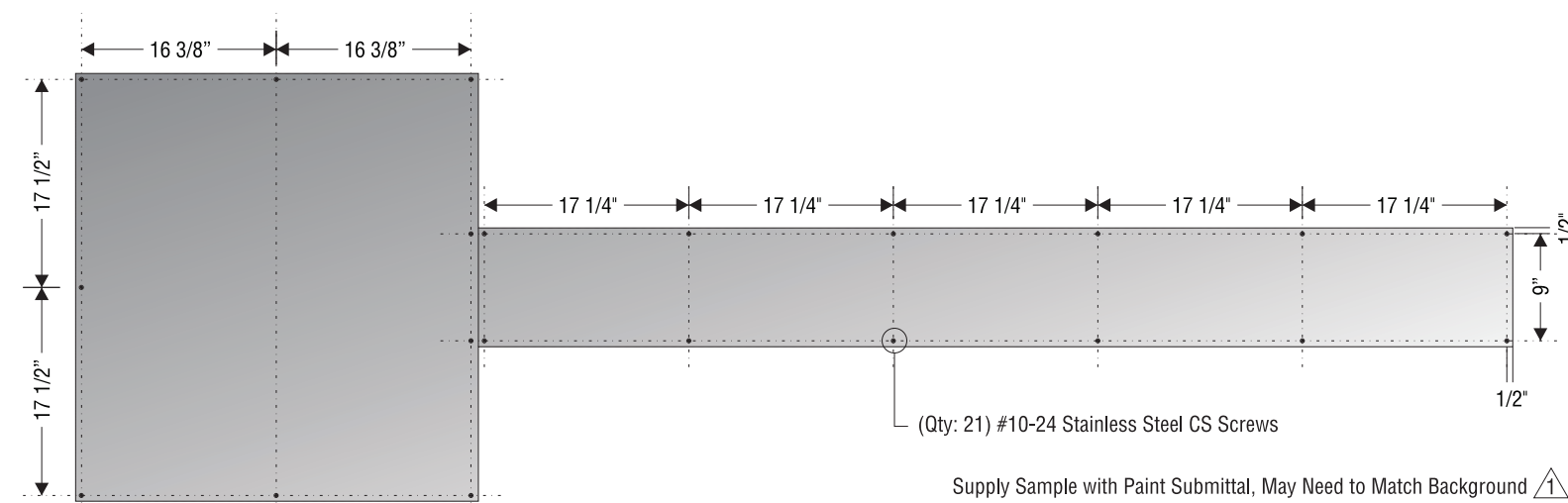
**2 ELEVATION**  
14.0 Scale: 3/4" = 1'-0"



**5 RIGHT END VIEW**  
14.0 Scale: 3/4" = 1'-0"

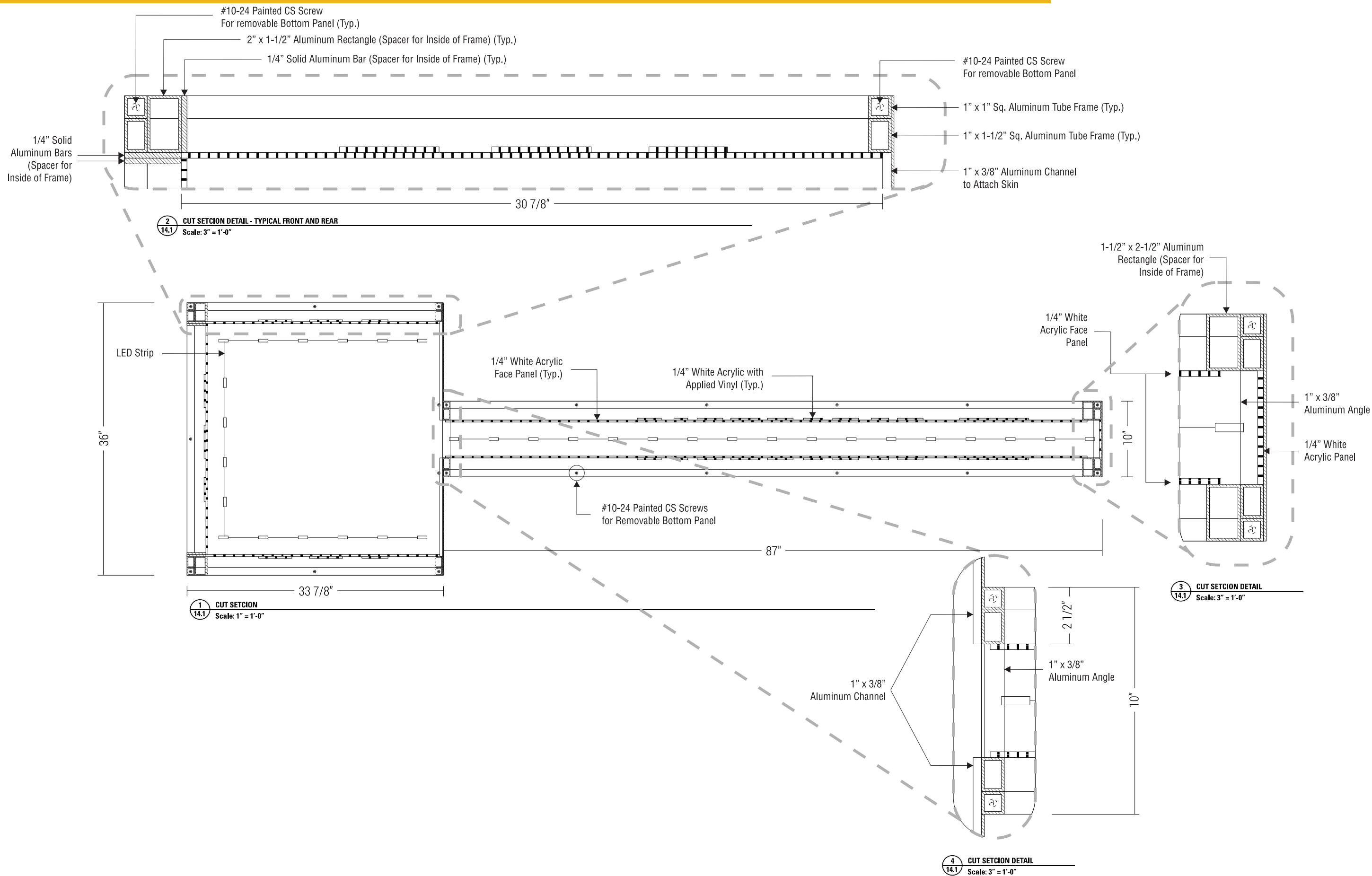


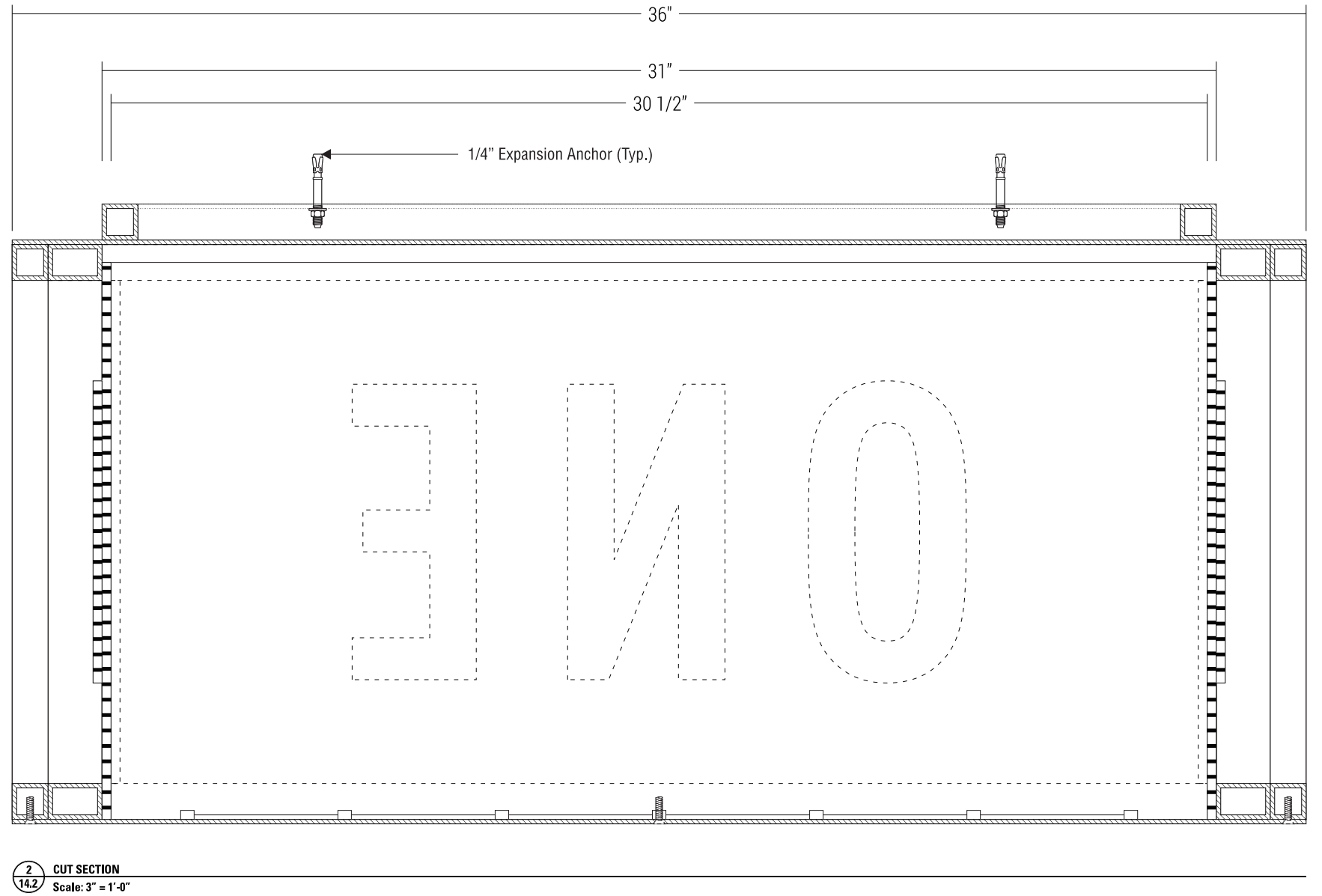
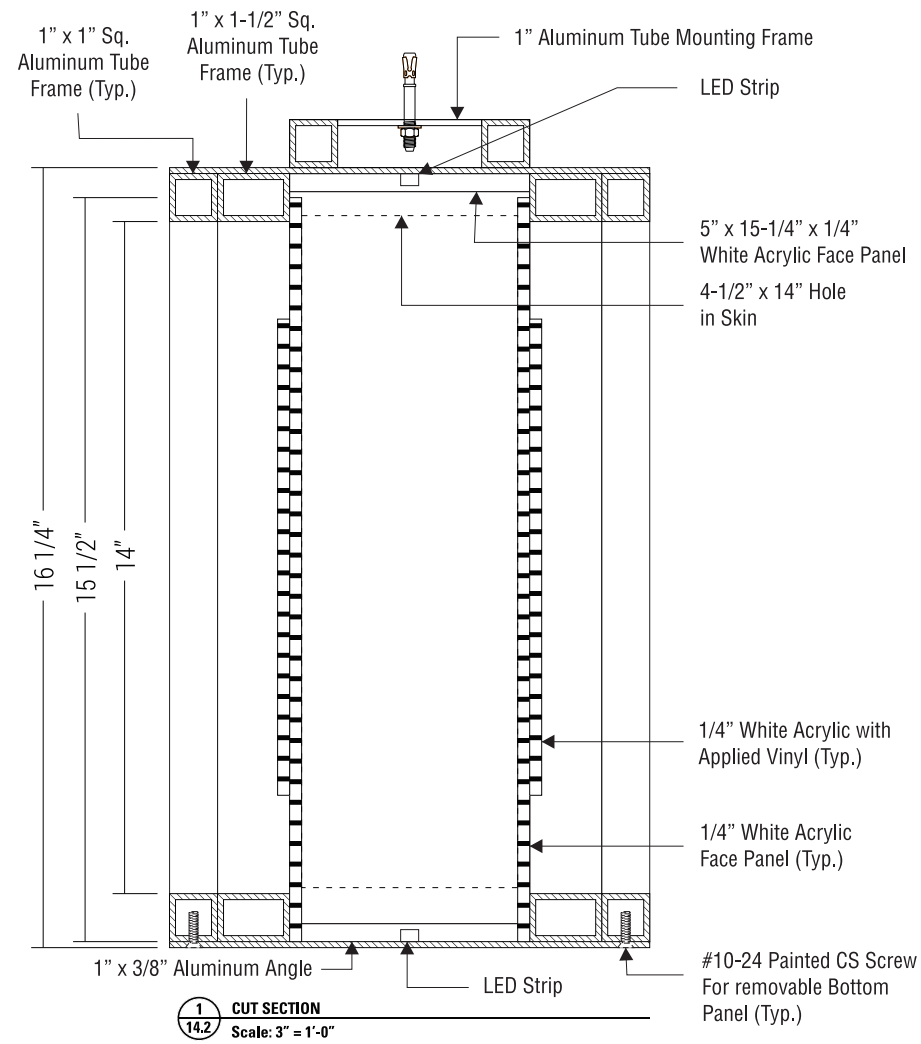
**3 BOTTOM VIEW**  
14.0 Scale: 3/4" = 1'-0"



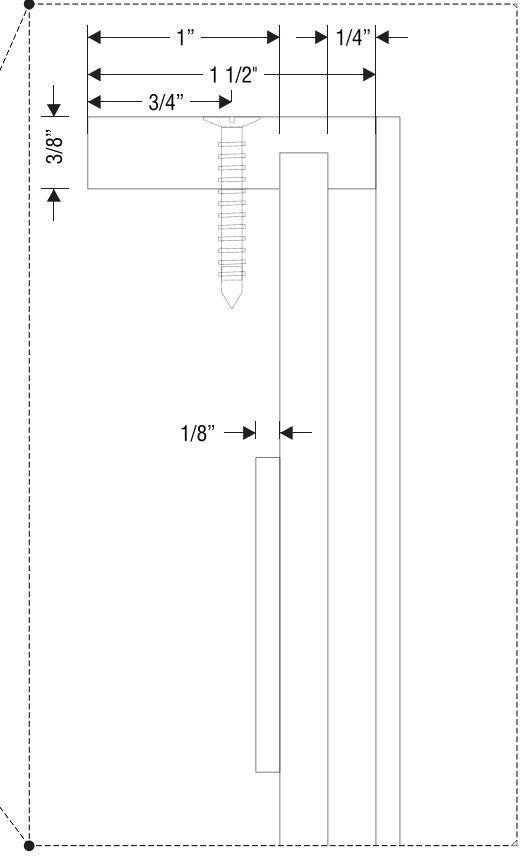
(Qty: 21) #10-24 Stainless Steel CS Screws

Supply Sample with Paint Submittal, May Need to Match Background



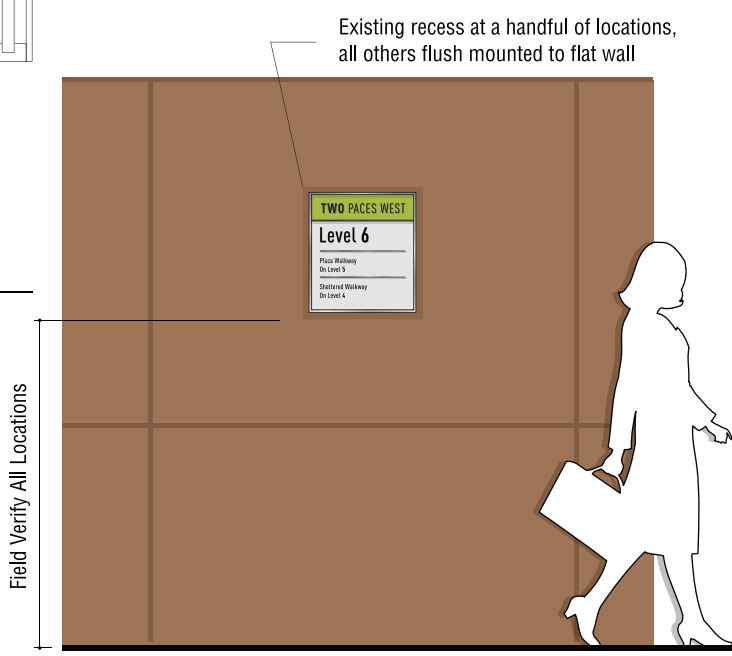


**P3 (Paces Two)**  
**P2 (Paces One)**



**2** END VIEW SECTION DETAIL  
Scale: 1:1

**1** ELEVATION with TOP, BOTTOM, END SECTIONS  
Scale: 1-1/12" = 1'-0"



**3** ELEVATION - Installation  
Scale: 3/8" = 1'-0"