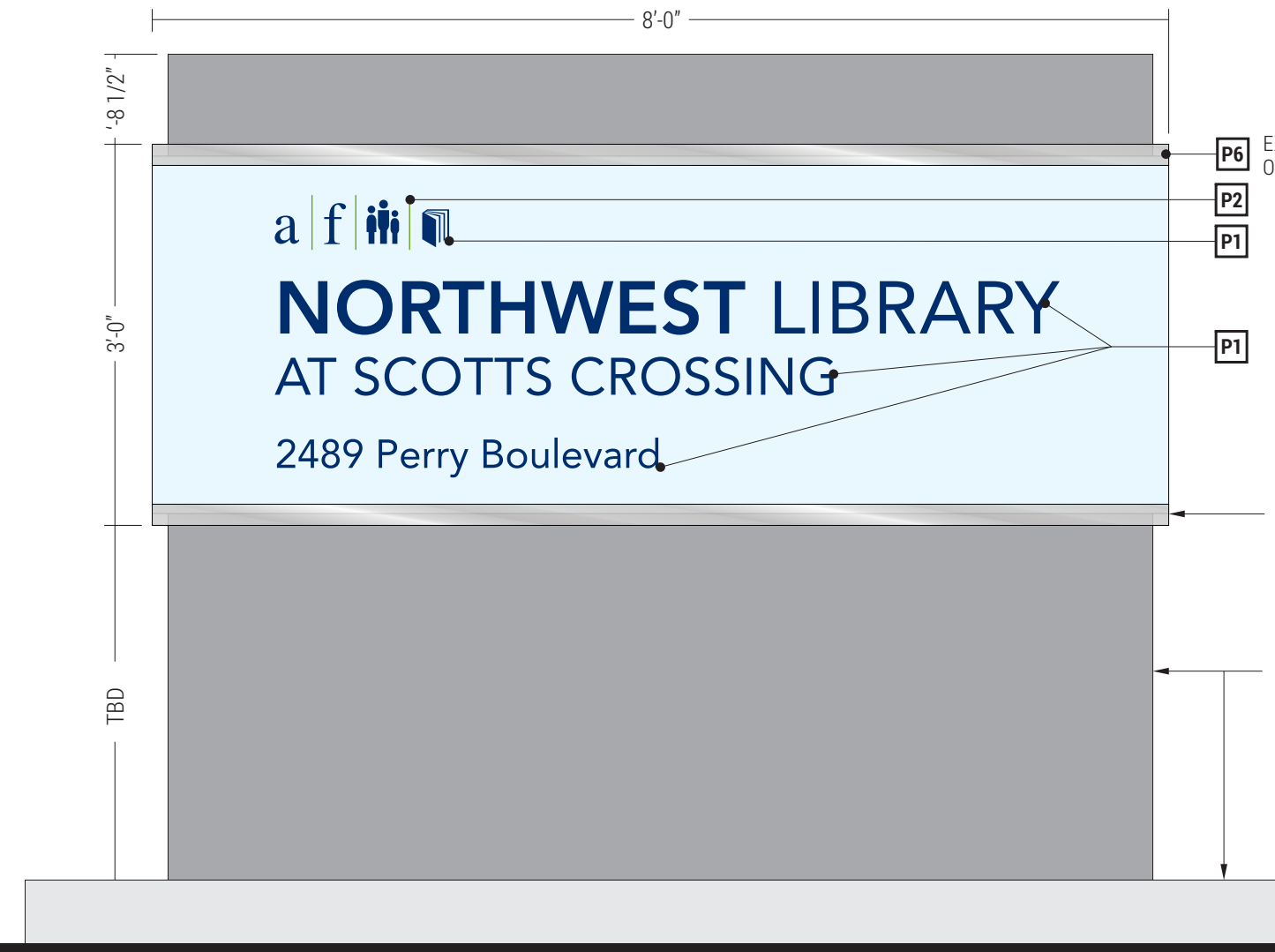
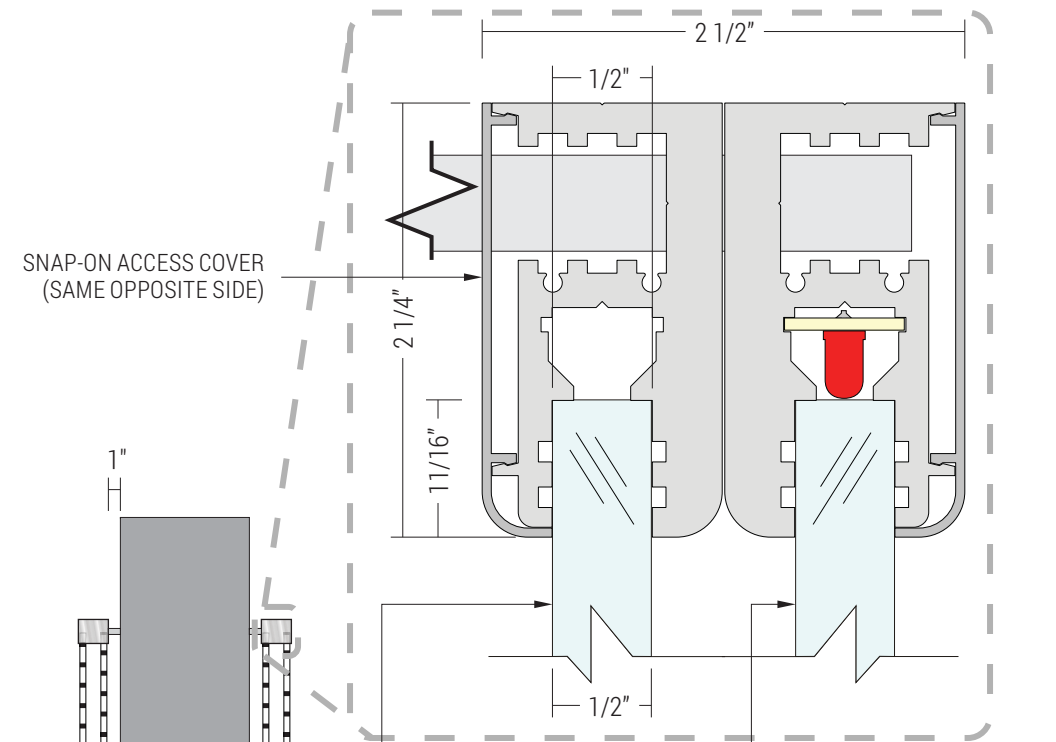


1 PLAN VIEW - ST X1.1 MAIN ID  
1.0 Scale: 3/4" = 1'-0"



2 FRONT ELEVATION - ST X1.1 MAIN ID  
1.0 Scale: 3/4" = 1'-0"

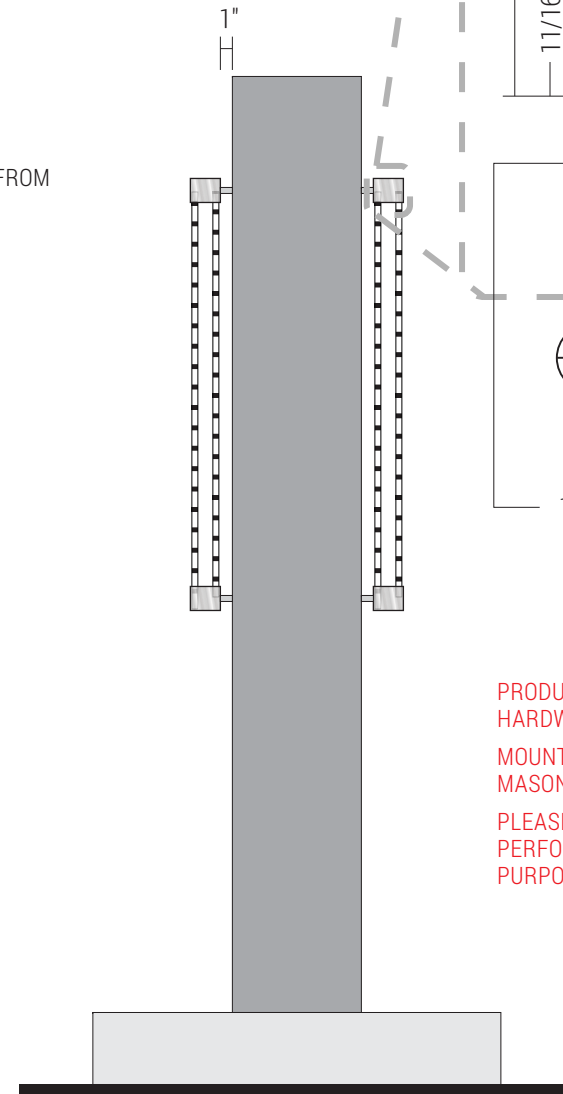
**GENERAL CONTRACTOR TO COORDINATE EMBEDS WITH SIGN FABRICATOR TO PROVIDE MOUNTING METHOD & ELECTRICAL STUB OUTS**



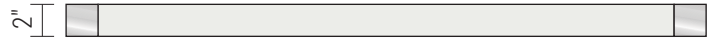
4 CUT SECTION DETAIL  
1.0 Scale: 1:1

1/2" GLASS W/ 1ST SURFACE CLEAR & GRAFFITI COAT, 2ND SURFACE SANDBLASTED W/ ETCHED & PAINTED OPAQUE COPY/GRAPHICS ASSEMBLY WEIGHT (EACH SIDE) (\*)280LBS.

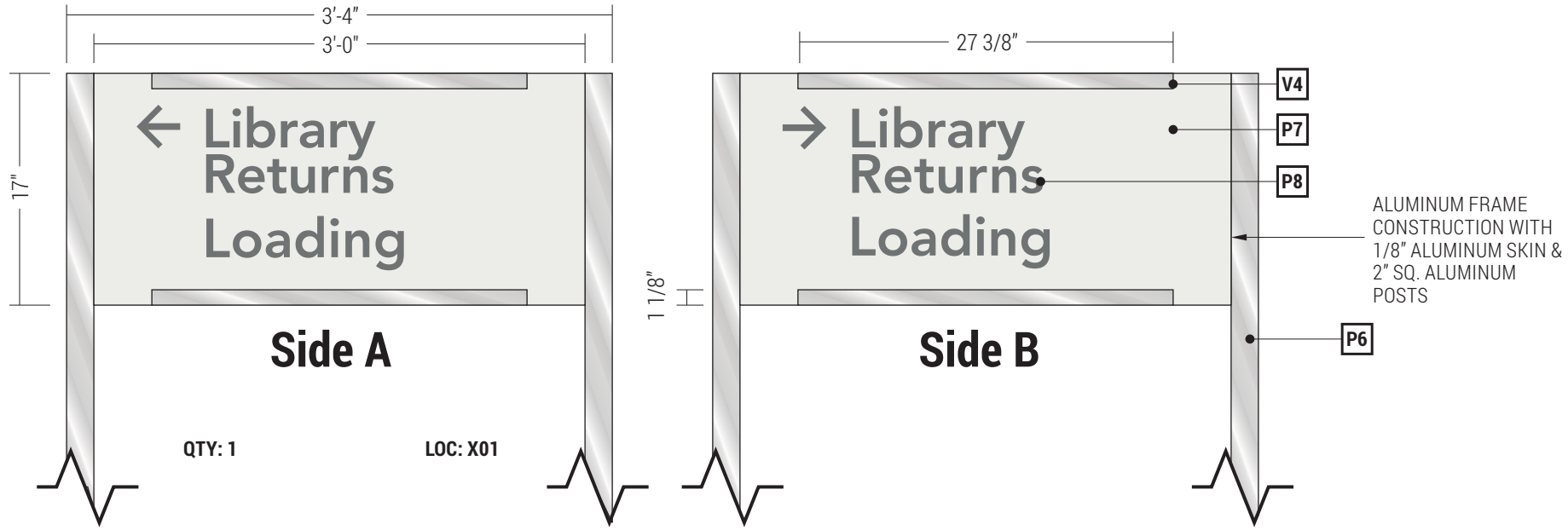
PRODUCTION ON SIGN WILL BEGIN ONCE IMBEDS/MOUNTING HARDWARE IS IN PLACE  
MOUNTING HARDWARE TO BE SET INTO STONE BASE BY STONE MASON. SIGN TO MECHANICALLY FASTEN TO IMBEDS  
PLEASE CONTACT SIGN MANUFACTURER BEFORE ANY WORK IS PERFORMED ON MONUMENT CONSTRUCTION FOR COORDINATION PURPOSES



3 SIDE ELEVATION - ST X1.1 MAIN ID  
1.0 Scale: 3/4" = 1'-0"

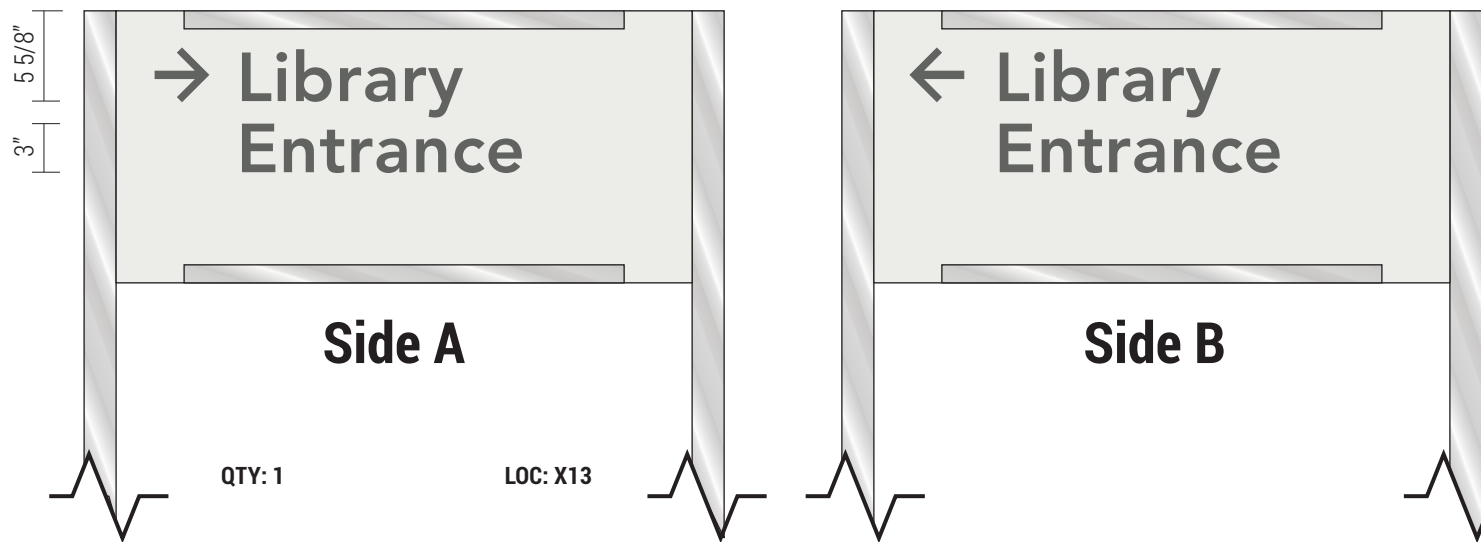


2 PLAN VIEW - ST X4.2 VEH. DIRECTIONAL - TYPE 2  
2.0 Scale: 1" = 1'-0"

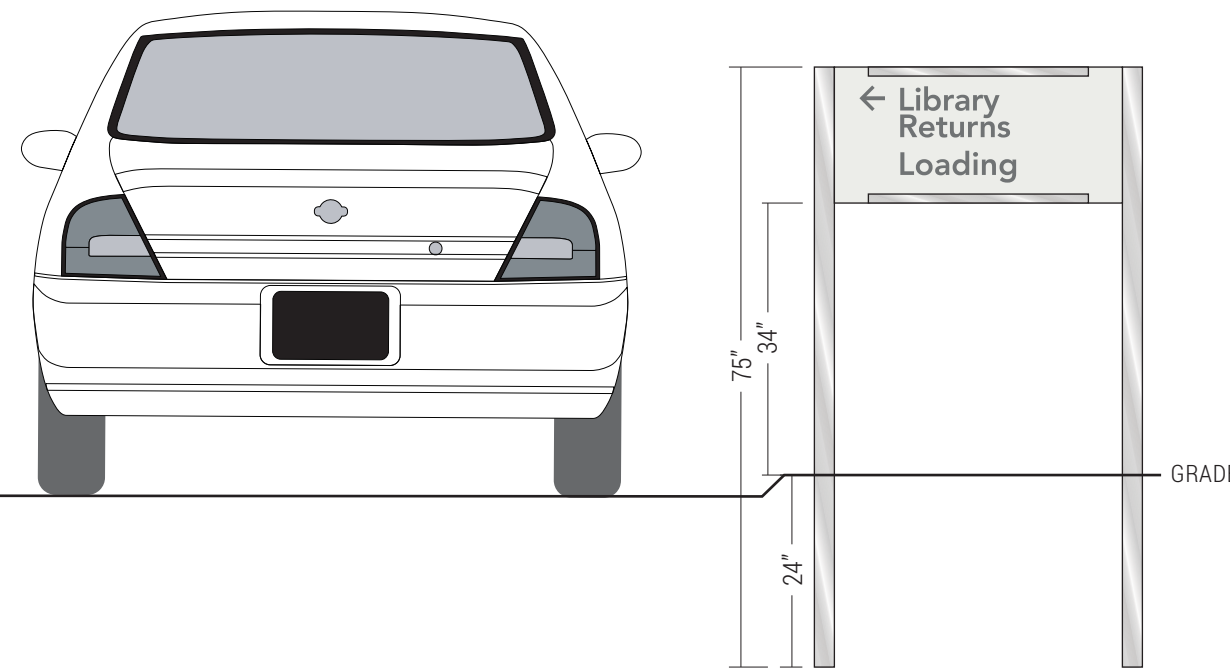


1 FRONT VIEW - ST X4.2 VEH. DIRECTIONAL - TYPE 2  
2.0 Scale: 1" = 1'-0"

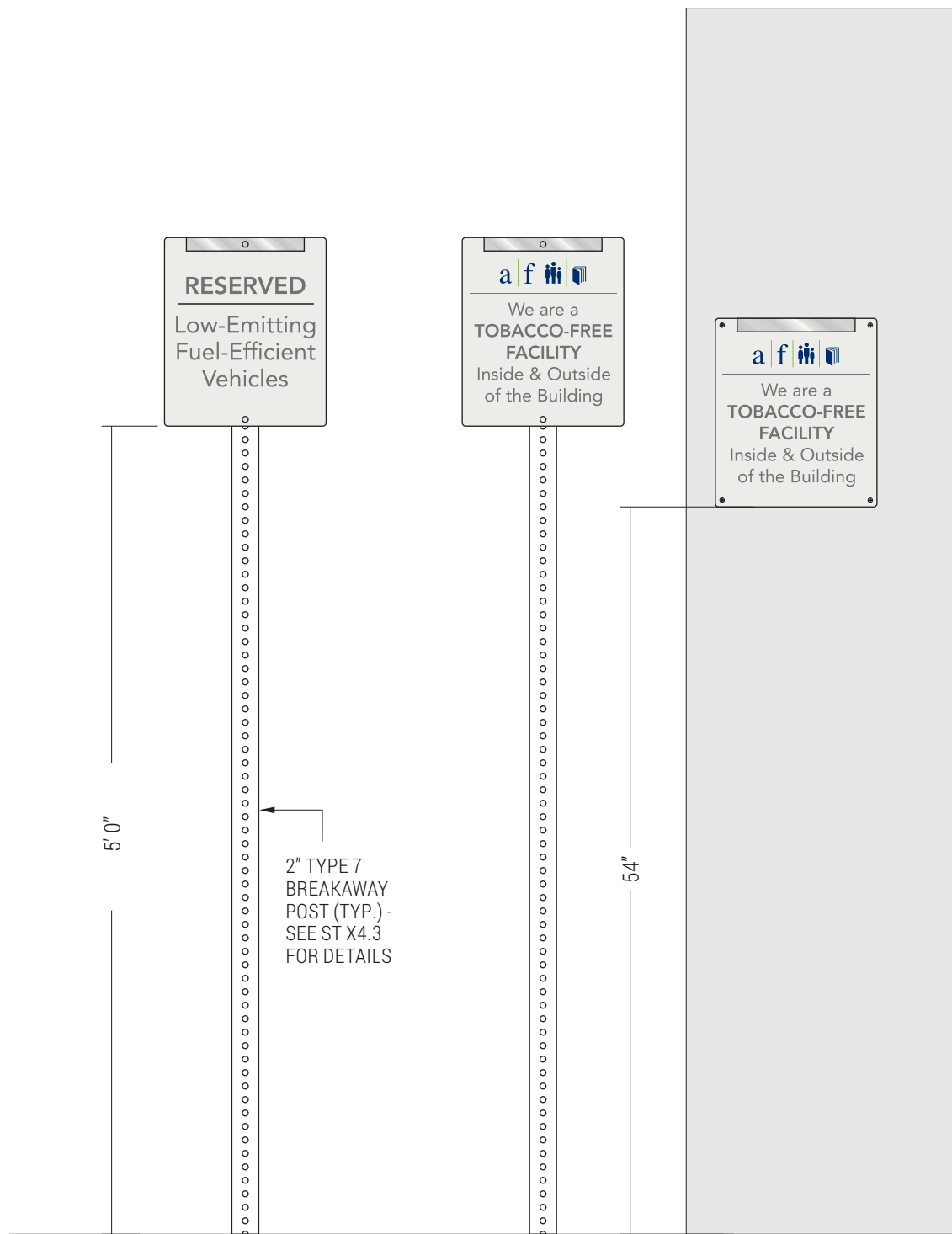
3 SIDE VIEW - ST X4.2 VEH. DIRECTIONAL - TYPE 2  
2.0 Scale: 1" = 1'-0"



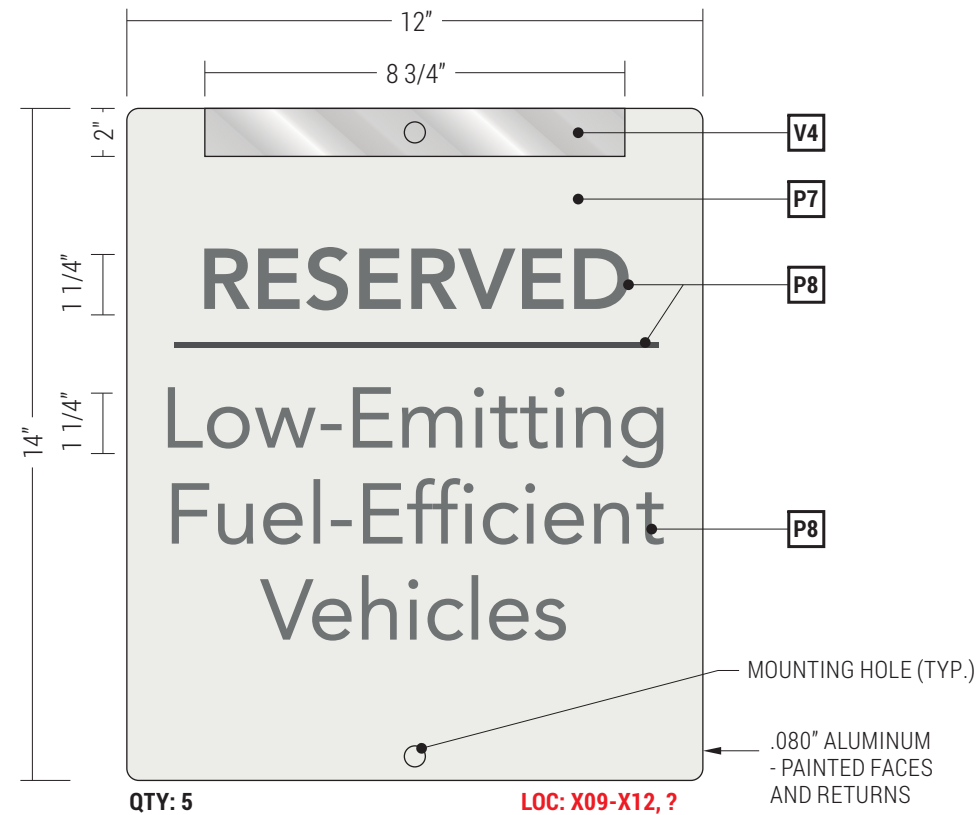
4 FRONT VIEW - ST X4.2 VEH. DIRECTIONAL - TYPE 2 - ALTERNATIVE MESSAGE  
2.0 Scale: 1" = 1'-0"



5 INSTALLATION - ST X4.2  
2.0 Scale: 1/2" = 1'-0"



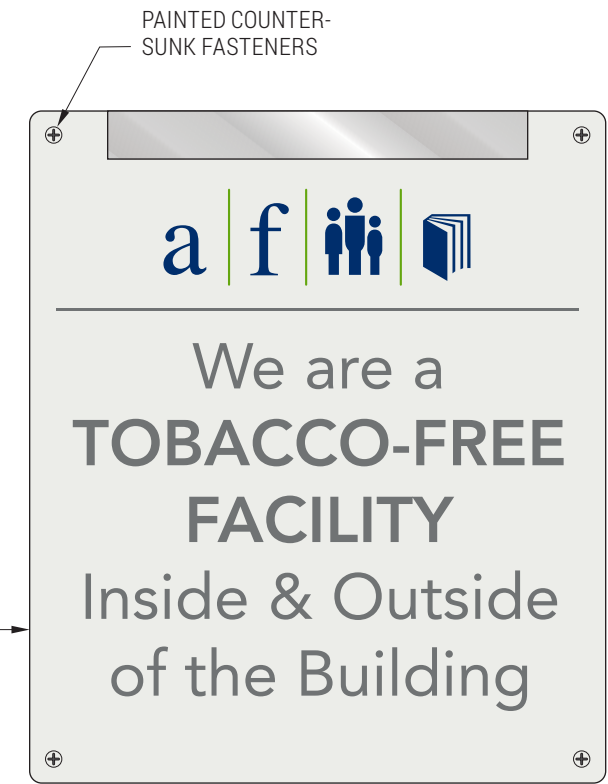
4 INSTALLATION - ST X6.2, 7.1, 7.2  
Scale: 1" = 1'-0"



1 FRONT VIEW - ST X6.2 REG. RESERVED PARKING  
4.0 Scale: 3" = 1'-0"



2 FRONT VIEW - ST X7.1 XEXT. BEHAVIOR - TYPE 1  
4.0 Scale: 3" = 1'-0"



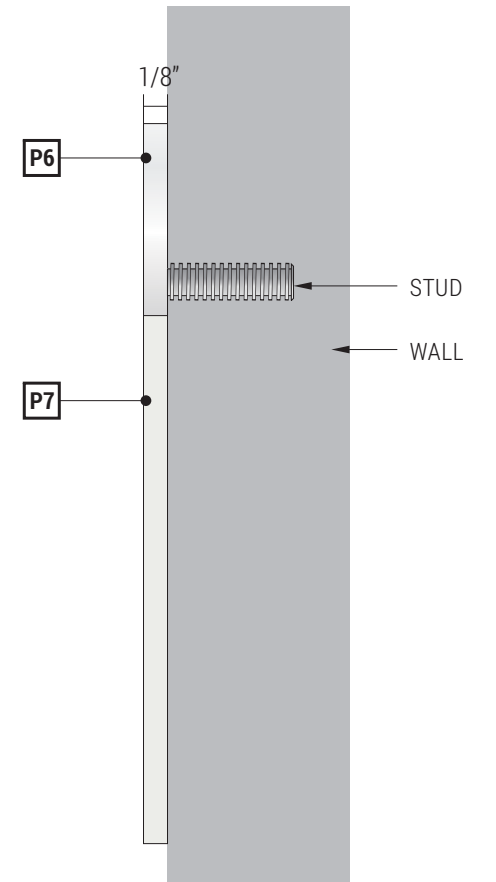
3 FRONT VIEW - ST X7.2 XEXT. BEHAVIOR - TYPE 2  
4.0 Scale: 3" = 1'-0"

TO BE LOCATED  
ONSITE WITH A/E  
TEAM AND  
LIBRARY  
PRESENT



1/8" ETCHED ZINC W/ PAINTED  
RAISED COPY & GRADE II BRAILLE -  
MOUNTED TO EXTERIOR WALLS W/  
SINGLE STUD + SILICONE

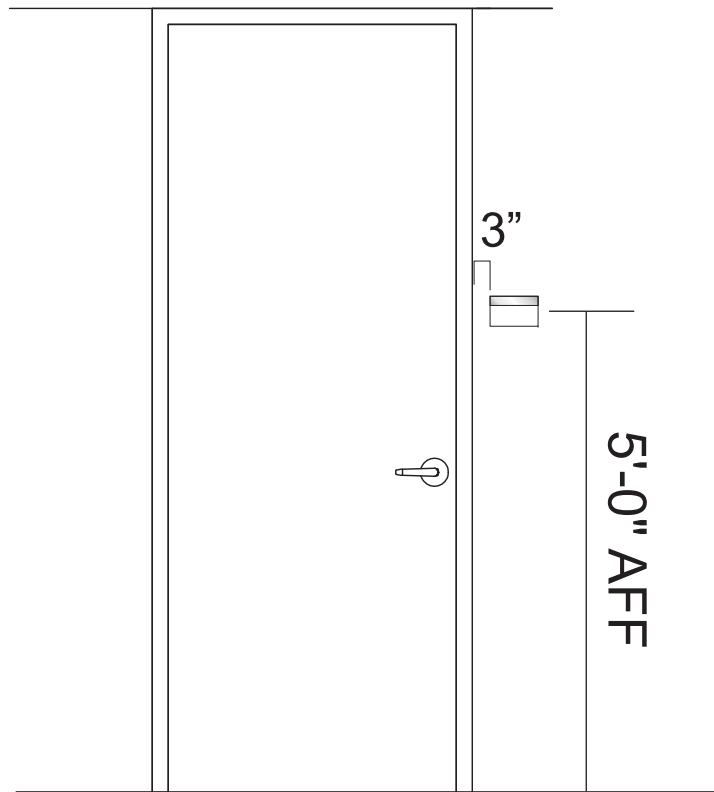
BRAILLE PAINTED TO MATCH  
BACKGROUND - SHOWN FOR  
REFERENCE ONLY



1 FRONT VIEW - ST X11 (TYPICAL)  
5.0 Scale: 1:1

\* SIZING CHANGED TO ACCOMMODATE ADA COMPLIANT TEXT HEIGHT

2 SIDE VIEW - ST X11 (TYPICAL)  
5.0 Scale: 1:1

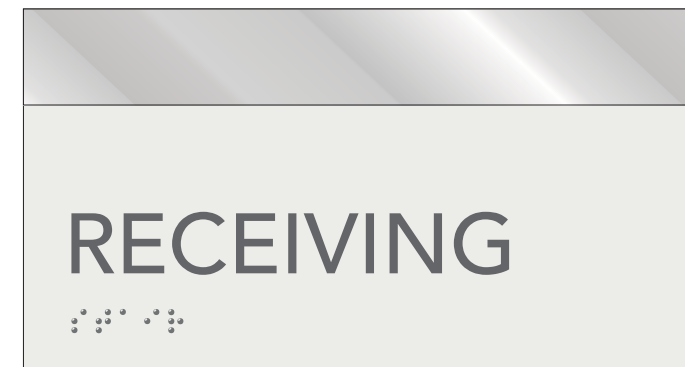


3 INSTALLATION - ST X11 (TYPICAL)  
5.0 Scale: 1/2" = 1' 0"



QTY: 2

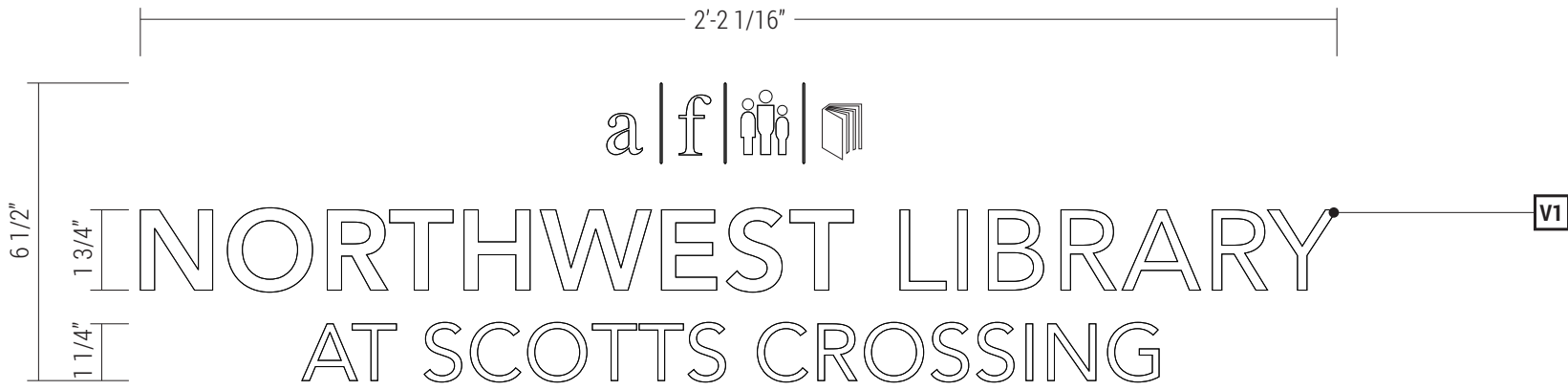
LOC: 111, 171



QTY: 1

LOC: 170

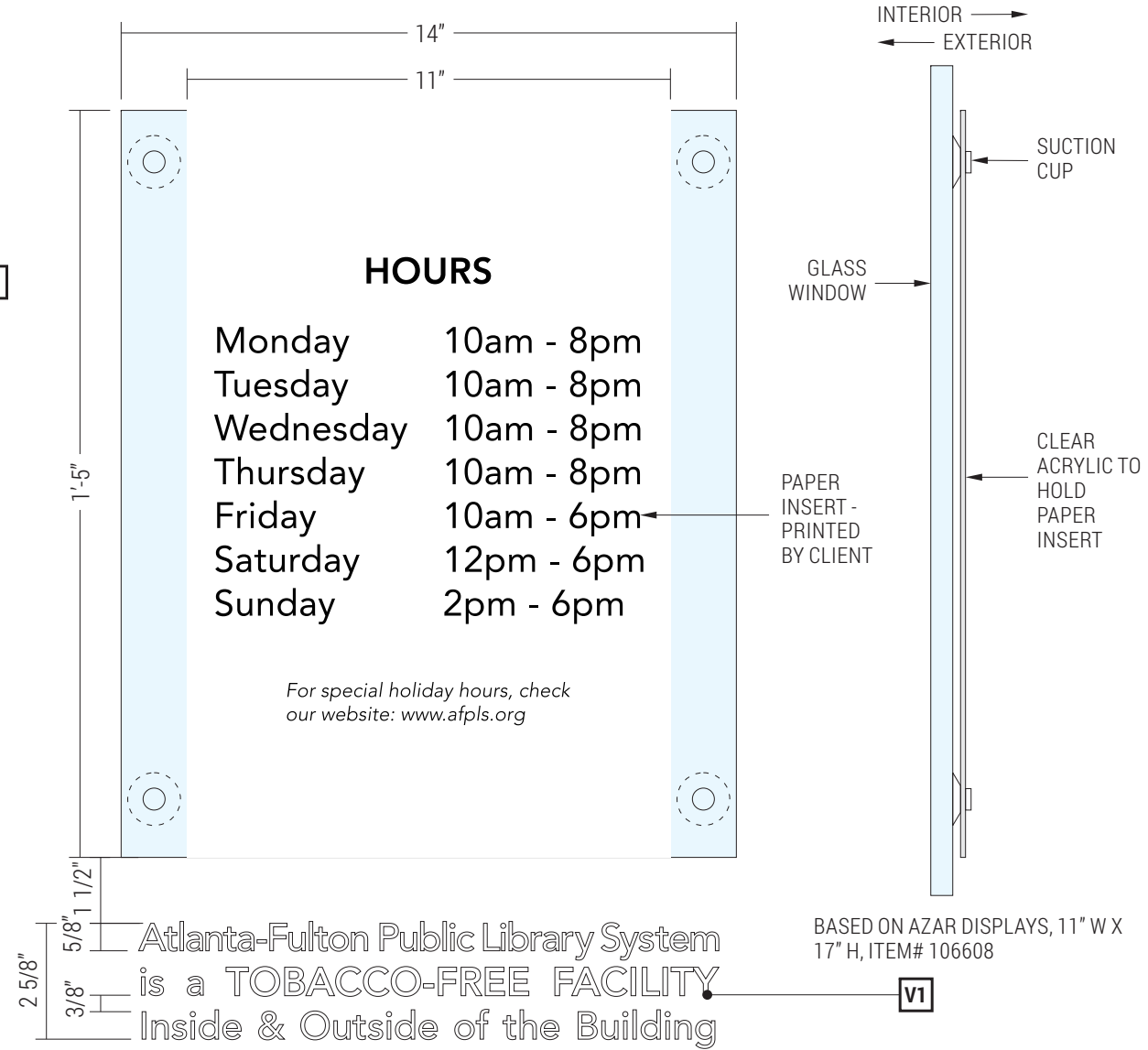
4 MESSAGE SCHEDULE - ST X11 (TYPICAL)  
5.0 Scale: 1:2



QTY: 2

LOC: 144

1 FRONT VIEW - ST 1.1 ENTRY DOOR VINYL  
6.0 Scale: 3" = 1'-0"

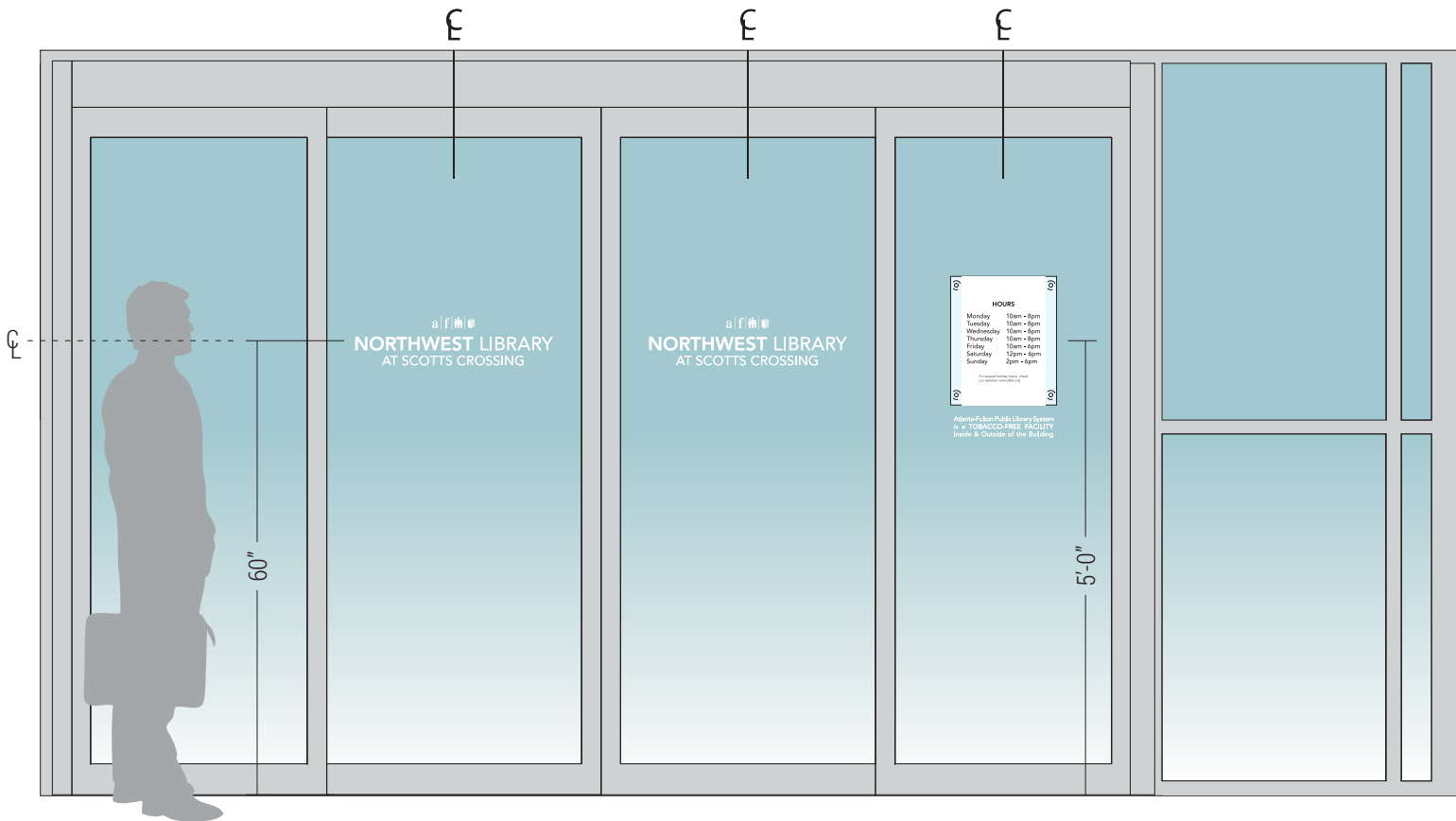


QTY: 1

LOC: 143

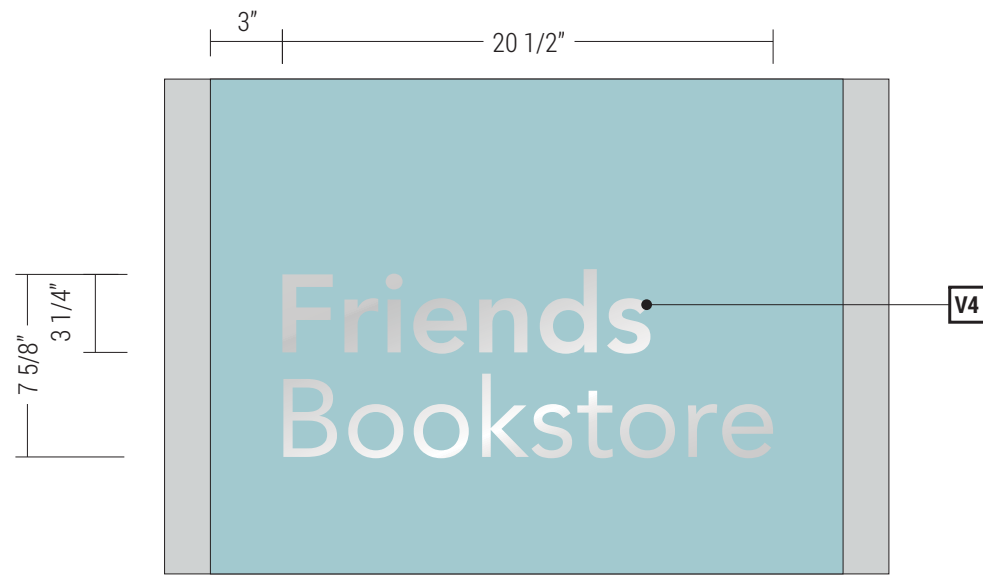
2 FRONT VIEW - ST 1.2 ENTRY DOOR HOURS  
6.0 Scale: 3" = 1'-0"

3 SIDE VIEW - ST 1.2  
6.0 Scale: 3" = 1'-0"



4 INSTALLATION - ST 1.1, 1.2  
6.0 Scale: 1/2" = 1'-0"

BASED ON AZAR DISPLAYS, 11" W X 17" H, ITEM# 106608

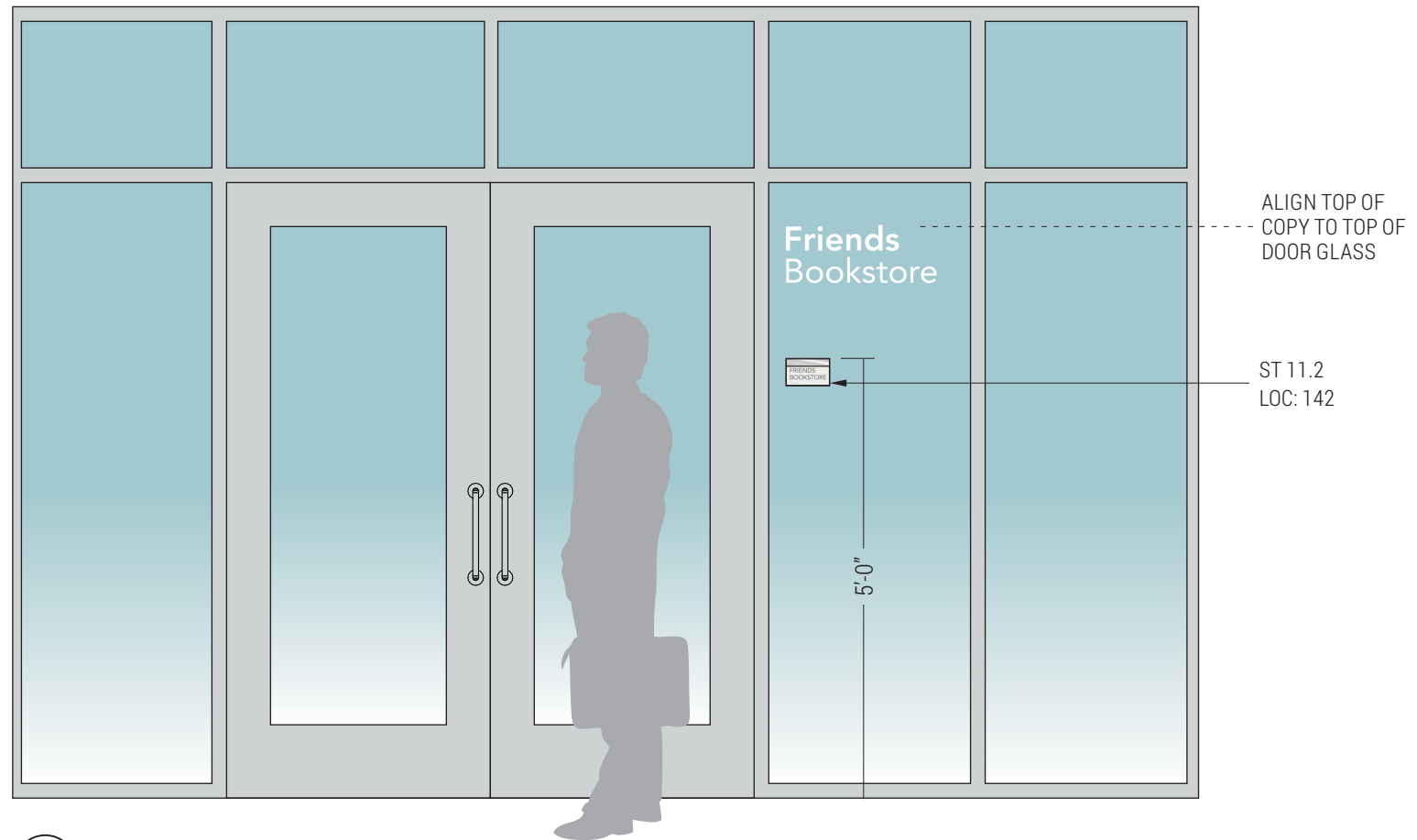


QTY: 1

LOC: 141

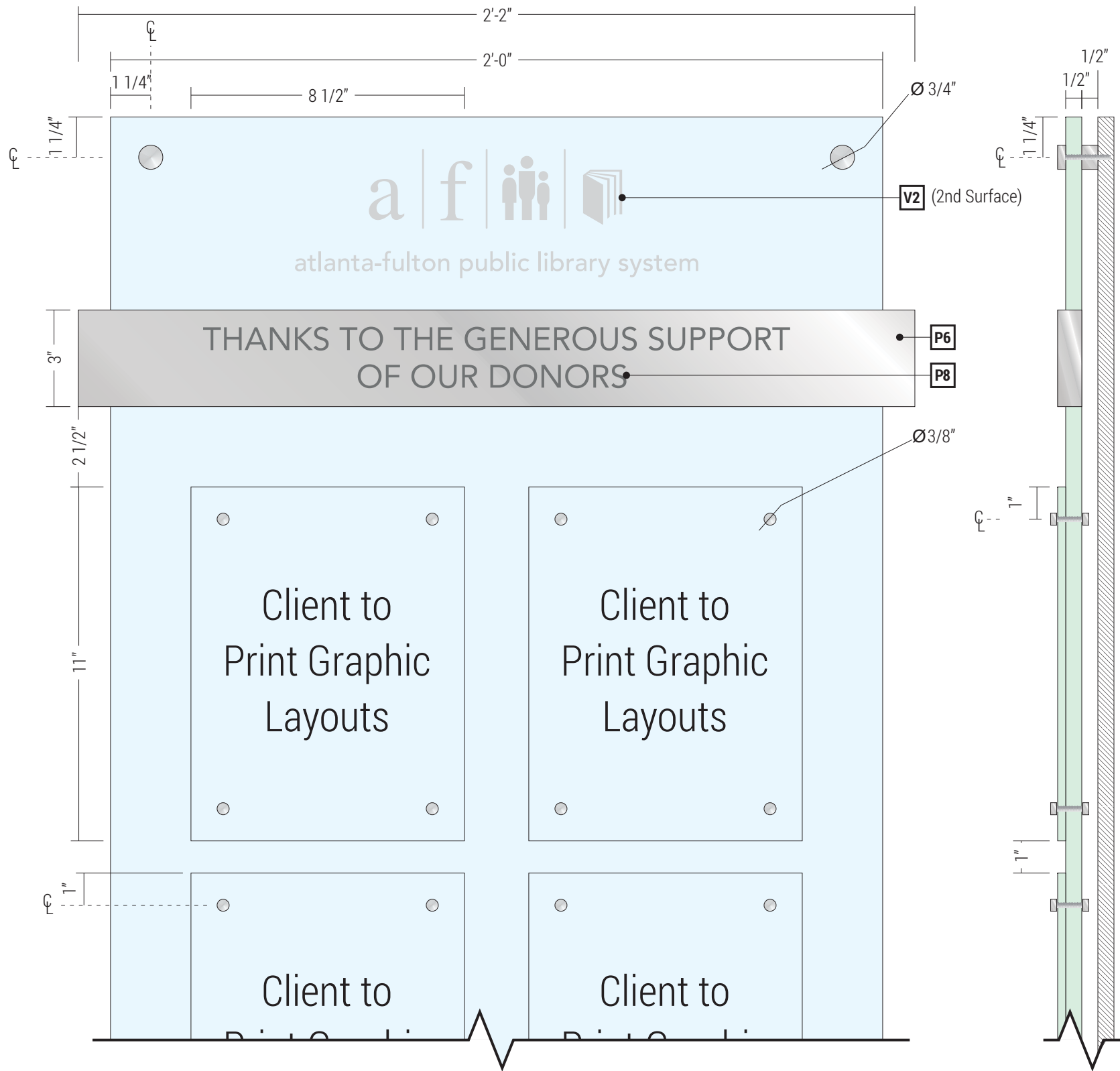
1  
7.0

INSTALLATION - ST 1.3 WINDOW VINYL  
Scale: 1 1/2" = 1'-0"



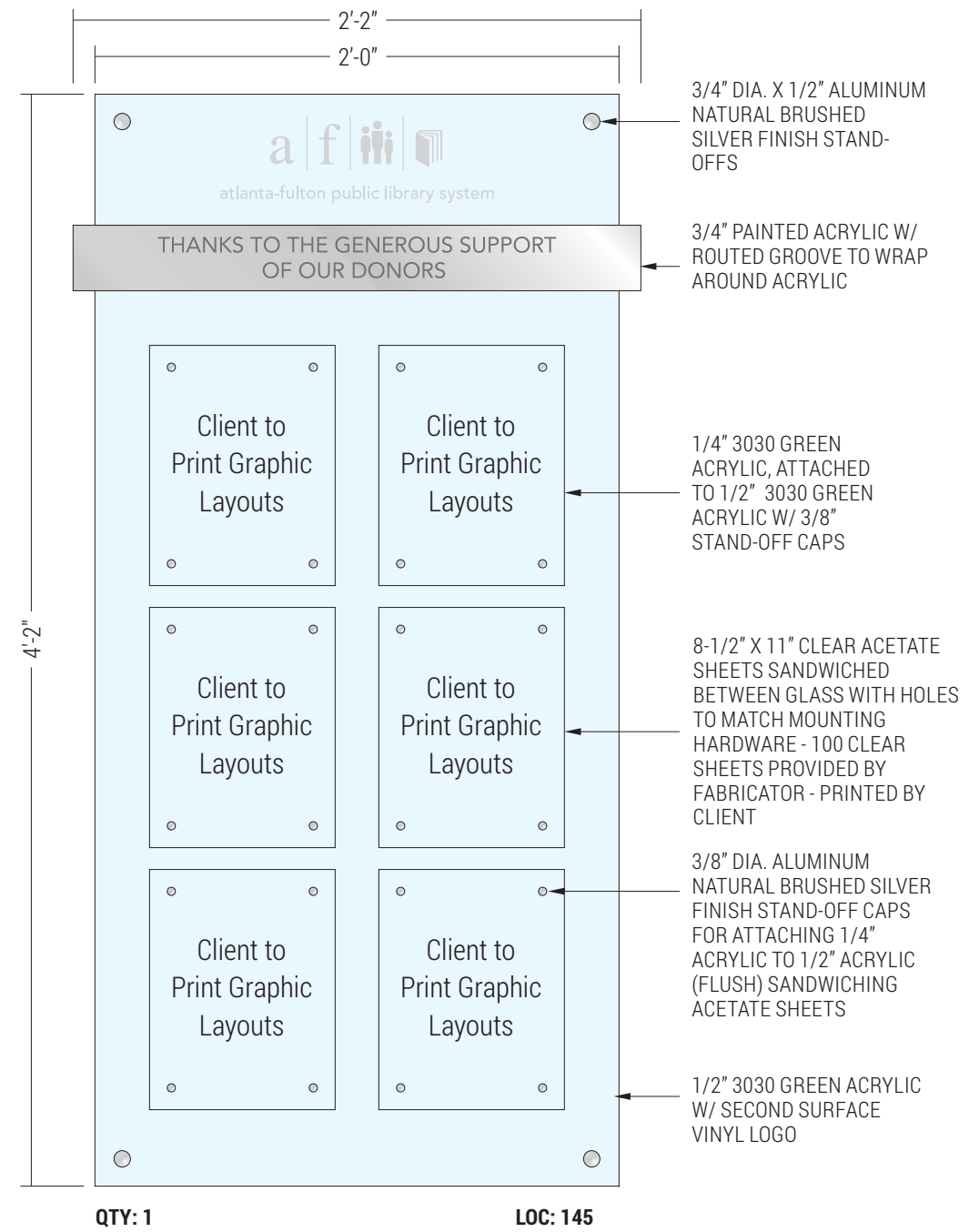
2  
7.0

INSTALLATION - ST 1.3 WINDOW VINYL  
Scale: 1/2" = 1'-0"

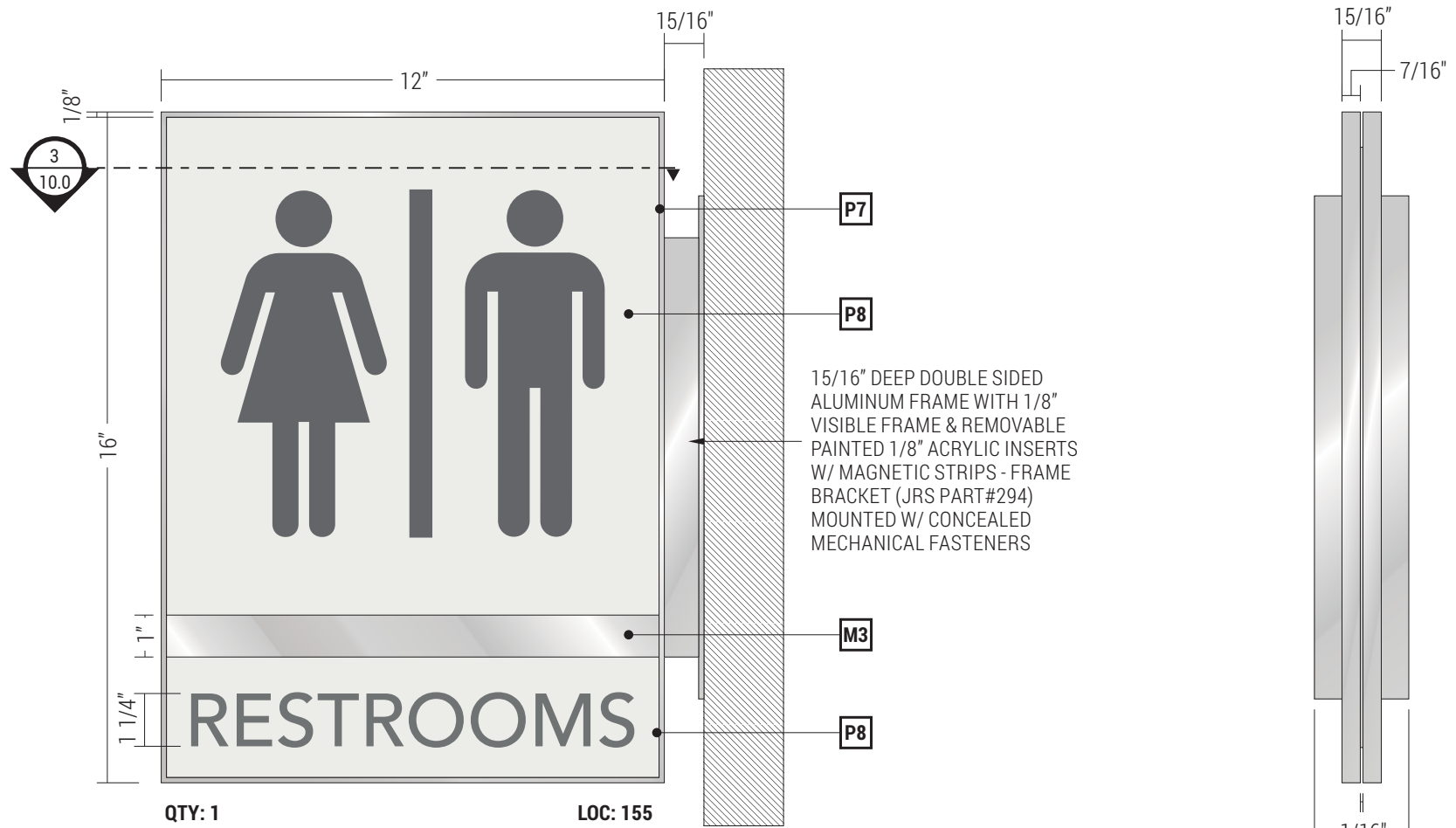


1 FRONT VIEW DETAIL - ST 2.2 DONOR WALL  
8.0 Scale: 3" = 1'-0"

2 SIDE VIEW DETAIL - ST 2.2  
8.0 Scale: 3" = 1'-0"

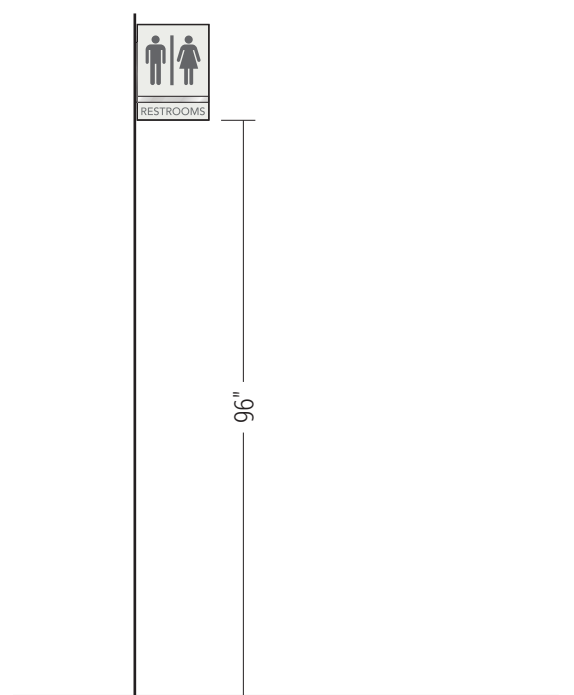


3 FRONT VIEW - ST 2.2 DONOR WALL  
8.0 Scale: 1 1/2" = 1'-0"

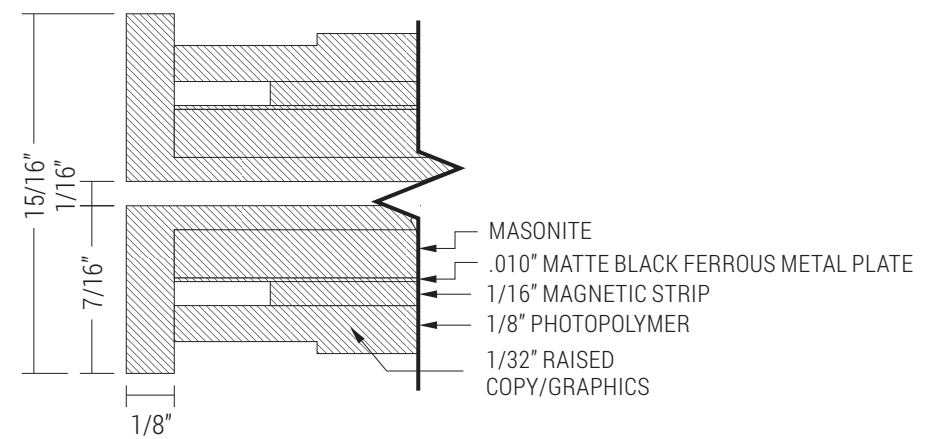


1 FRONT VIEW - ST 9.1 FLAG MOUNT RESTROOMS  
 10.0 Scale: 3" = 1'-0"

2 SIDE VIEW - ST 9.1  
 10.0 Scale: 3" = 1'-0"

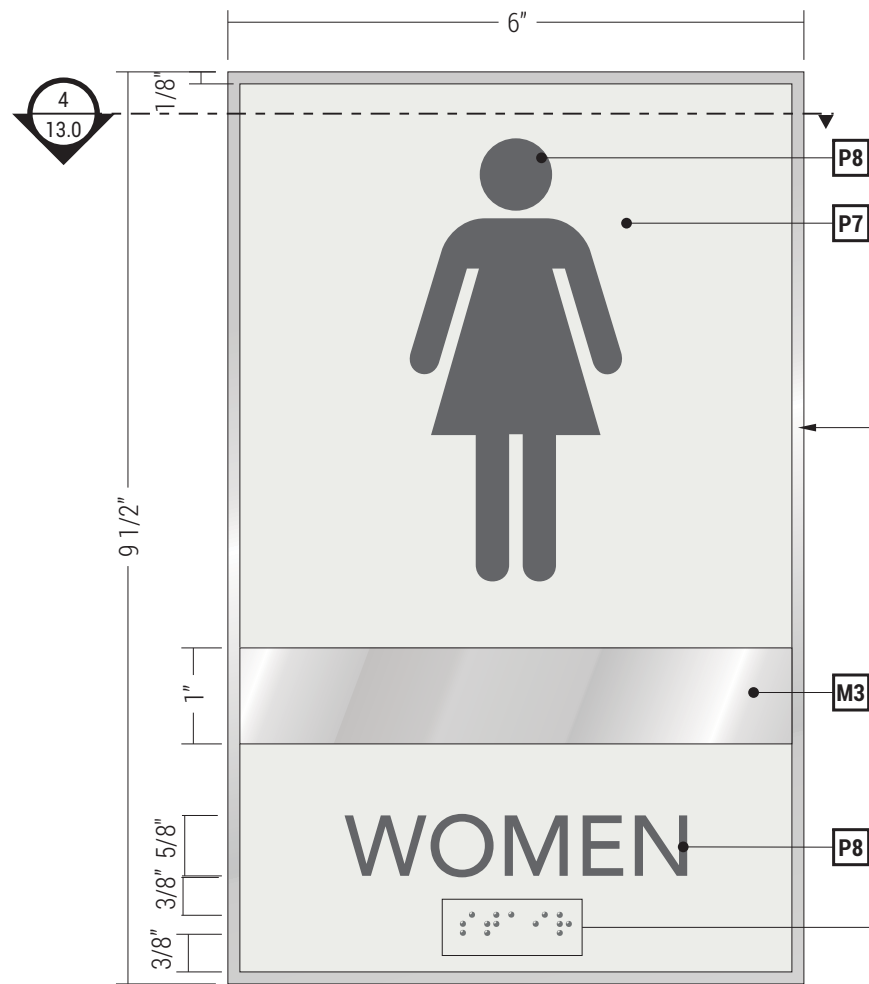


4 INSTALLATION - ST 9.1  
 10.0 Scale: 3/8" = 1'-0"



3 CUT SECTION DETAIL - ST 9.1  
 10.0 Scale: 2:1





**1** FRONT VIEW - ST 11.1 WALL MOUNT (TYPICAL)  
 QTY: 1 LOC: 159  
 Scale: 1:2

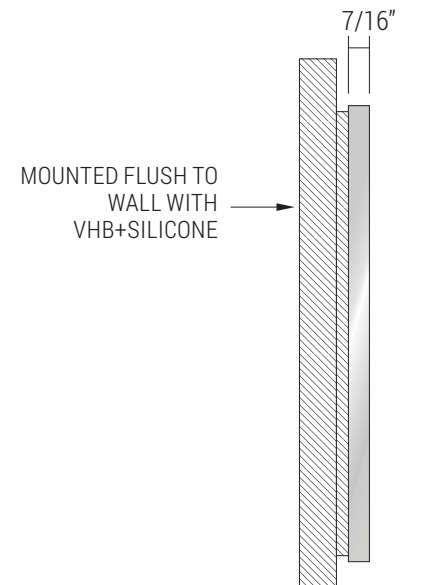
7/16" DEEP ALUMINUM FRAME WITH 1/8" VISIBLE BORDER (SATIN SILVER FINISH) & PAINTED 1/8" PHOTOPOLYMER W/ 1/32" RAISED COPY/GRAPHICS & GRADE II BRAILLE - INSERT MOUNTED IN FRAME WITH MAGNETIC STRIPS - FRAME MOUNTED WITH VHB + SILICONE

GRADE II BRAILLE (SHOWN FOR REFERENCE)

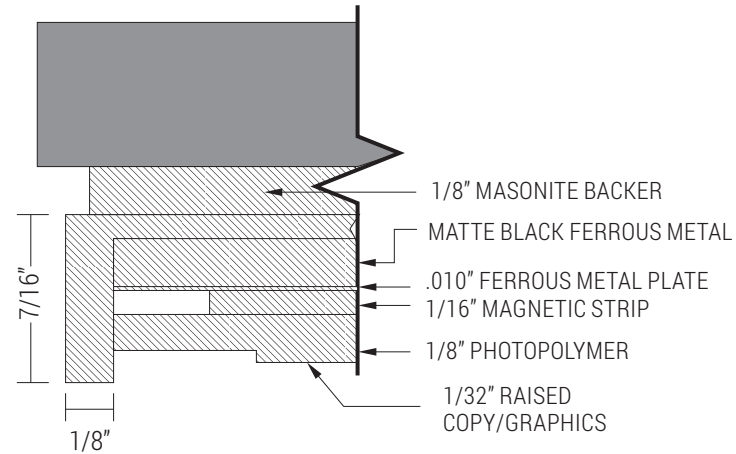


QTY: 2 LOC: 160, 121 QTY: 1 LOC: 158

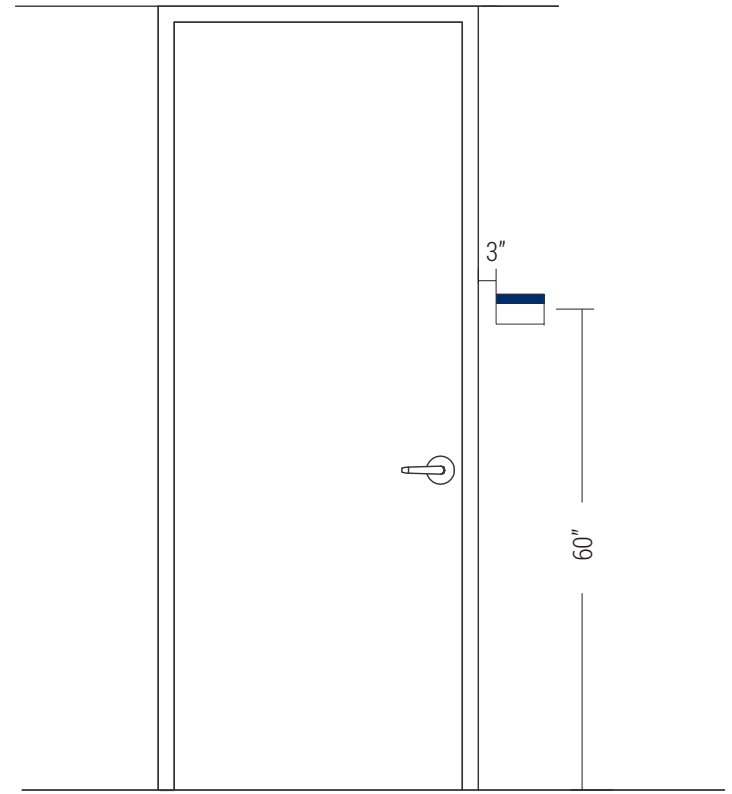
**2** FRONT VIEW - ST 11.1 ALTERNATIVE MESSAGES  
 Scale: 3" = 1'-0"



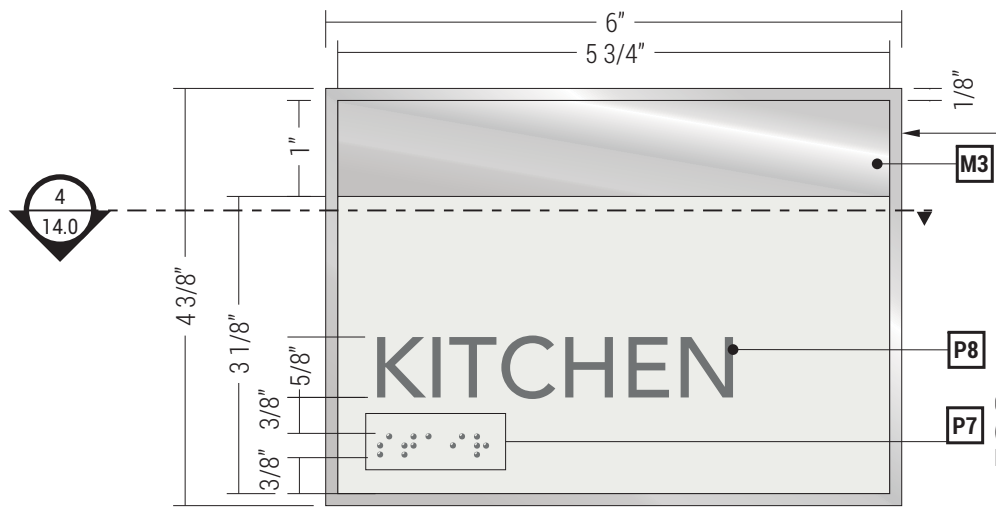
**3** SIDE VIEW - ST 11.1  
 Scale: 3" = 1'-0"



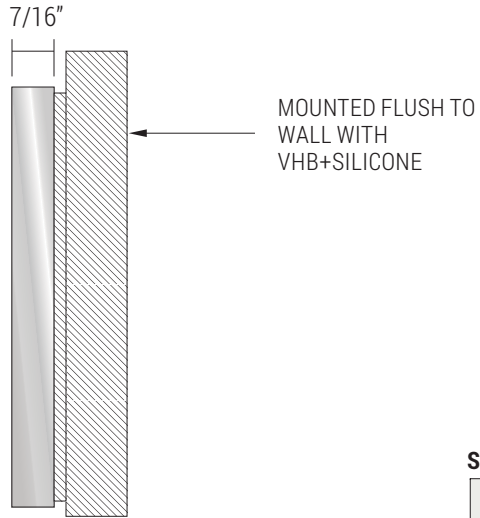
**4** CUT SECTION DETAIL - ST 11.1  
 Scale: 2:1



**5** INSTALLATION ST 11.1 - WALL MOUNT RESTROOMS  
 Scale: 1/2" = 1'-0"

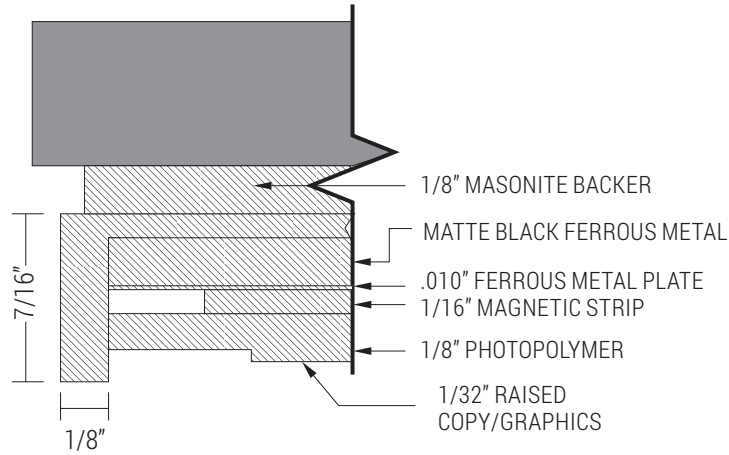


1 FRONT VIEW - ST 11.2 (TYPICAL)  
Scale: 1:2

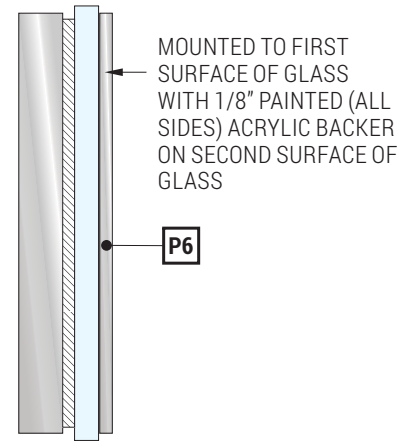


2 SIDE VIEW - ST 11.2  
Scale: 1:2

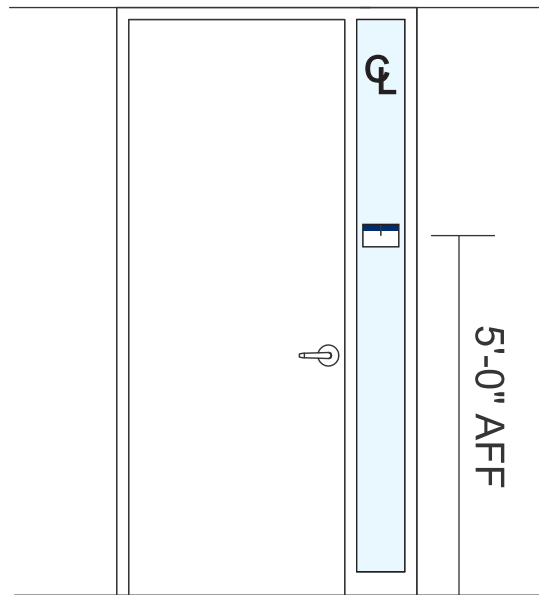
SIZE ALTERED TO ACCOMMODATE ADA TEXT AND BRAILLE REQUIREMENTS



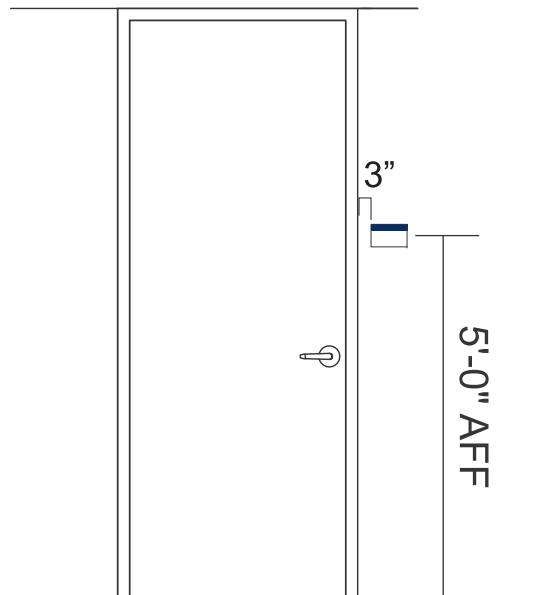
4 CUT SECTION DETAIL - ST 11.2  
Scale: 2:1



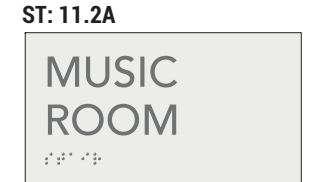
3 SIDE VIEW - ST 11.2A  
Scale: 1:2



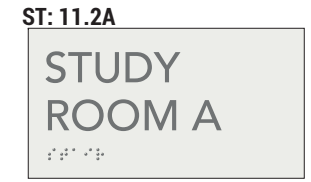
5 INSTALLATION - ST 11.2A  
Scale: 3/8" = 1'-0"



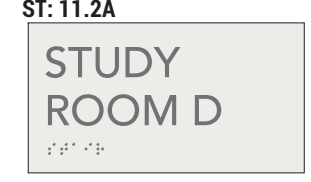
6 INSTALLATION - ST 11.2  
Scale: 3/8" = 1'-0"



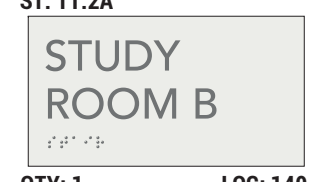
QTY: 1 LOC: 123



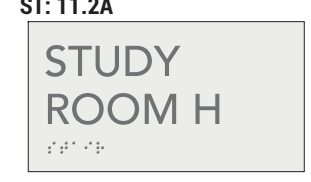
QTY: 1 LOC: 138



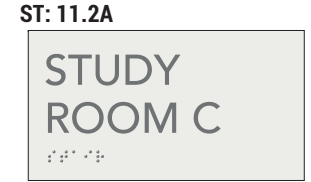
QTY: 1 LOC: 137



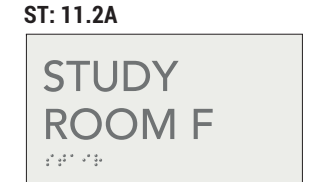
QTY: 1 LOC: 140



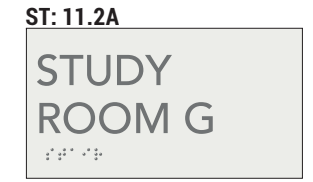
QTY: 1 LOC: 124



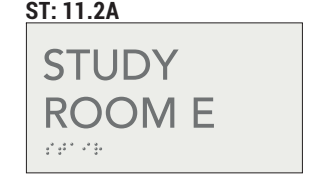
QTY: 1 LOC: 139



QTY: 1 LOC: 134



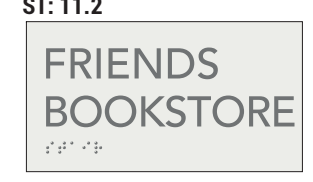
QTY: 1 LOC: 135



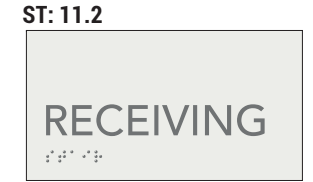
QTY: 1 LOC: 136



QTY: 1 LOC: 157



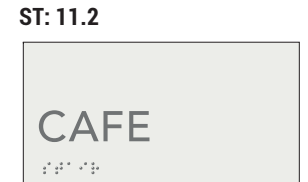
QTY: 1 LOC: 142



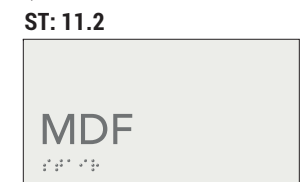
QTY: 2 LOC: ?



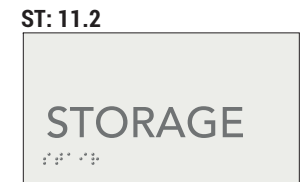
QTY: 2 LOC: 151, 150



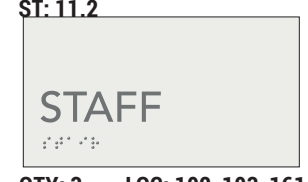
QTY: 1 LOC: 150.1



QTY: 1 LOC: 108



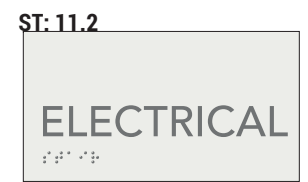
QTY: 4 LOC: 105, 107, 118, 152?



QTY: 3 LOC: 102, 103, 161

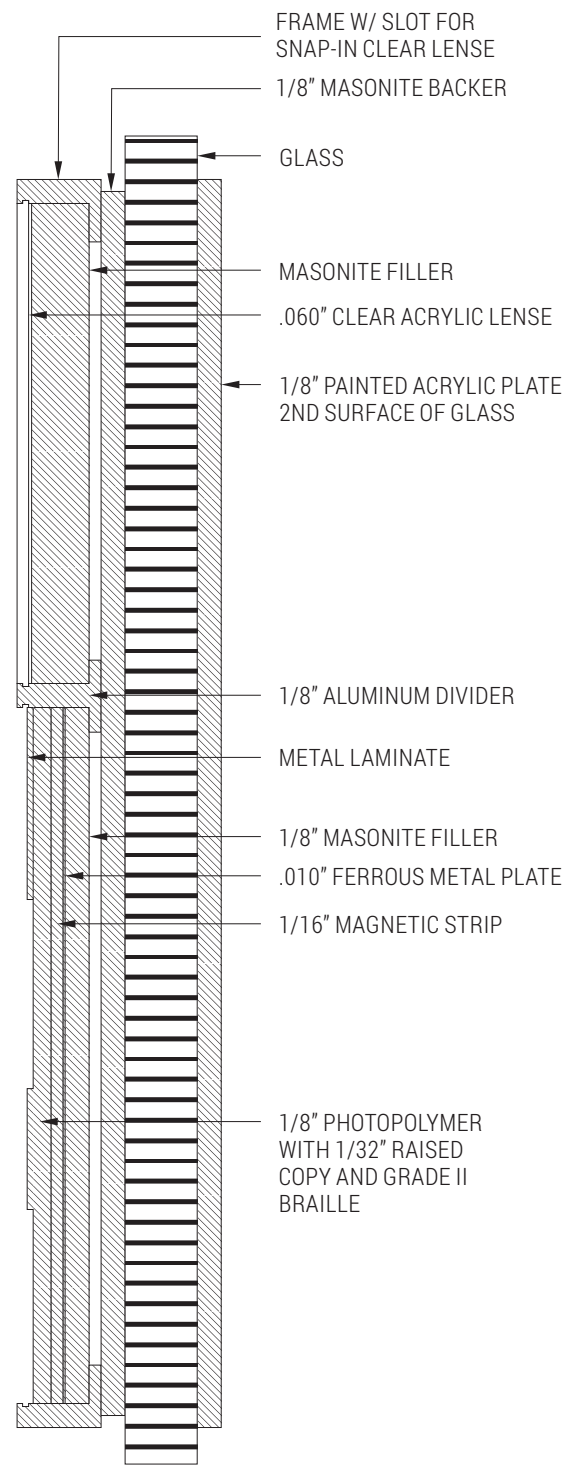


QTY: 1 LOC: 120

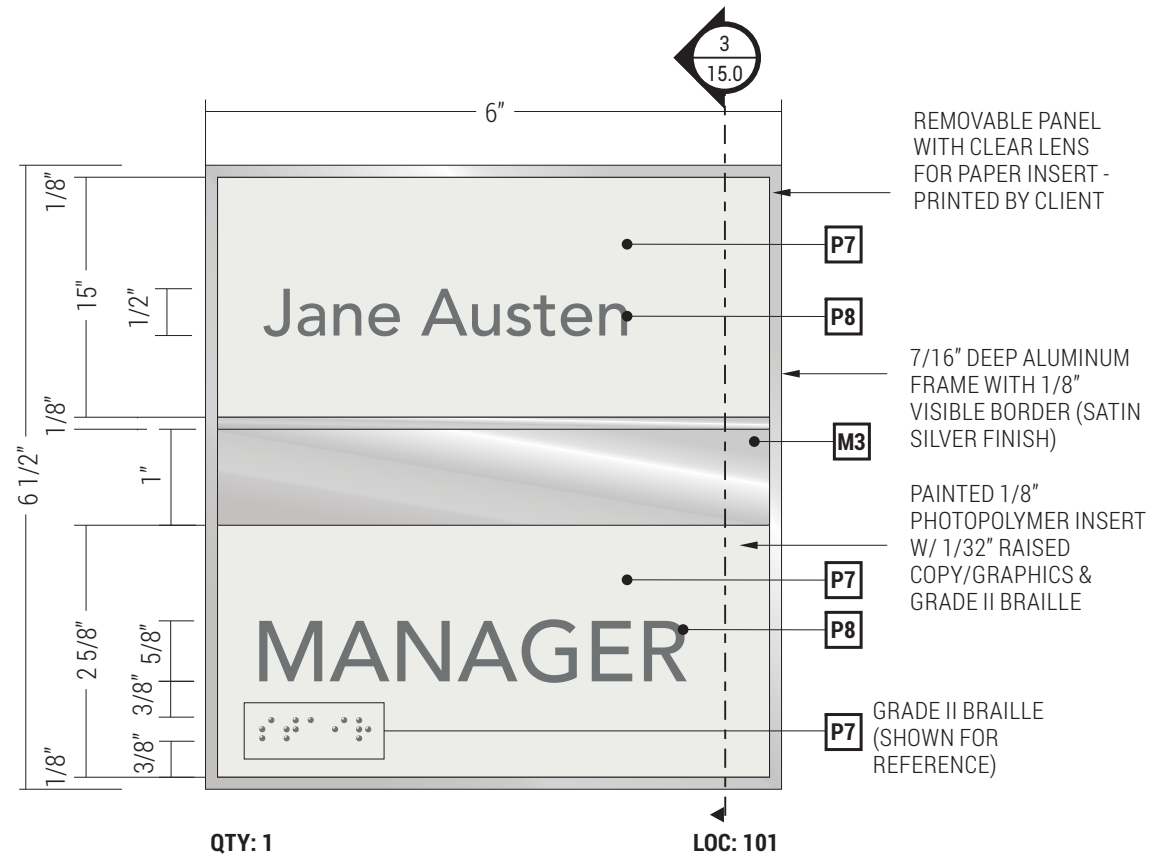


QTY: 2 LOC: 156, 117

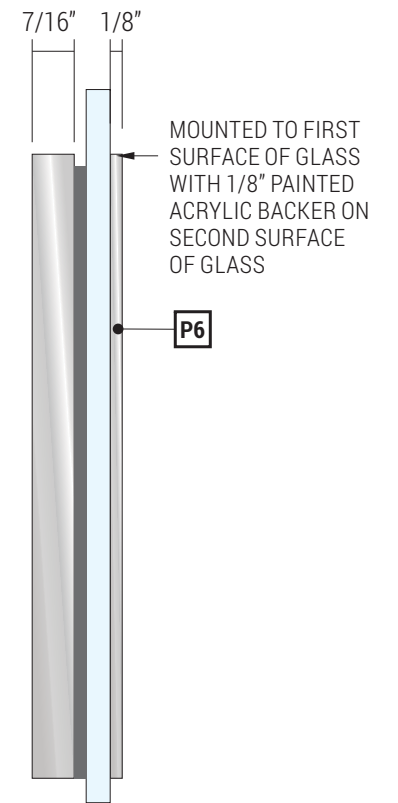
7 MESSAGE SCHEDULE - ST 11.2  
Scale: 3" = 1'-0"



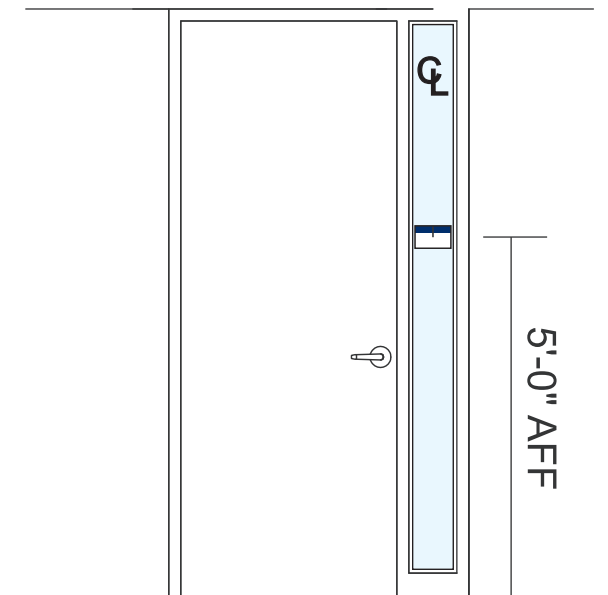
3 CUT SECTION - ST 11.3A  
15.0 Scale: 1:1



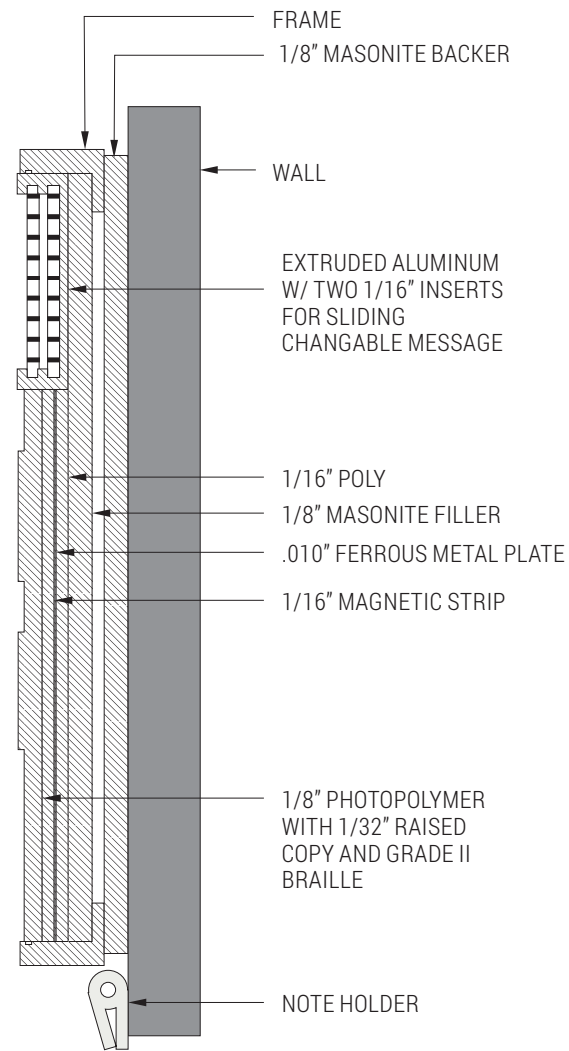
1 FRONT VIEW - ST 11.3A  
15.0 Scale: 1:2



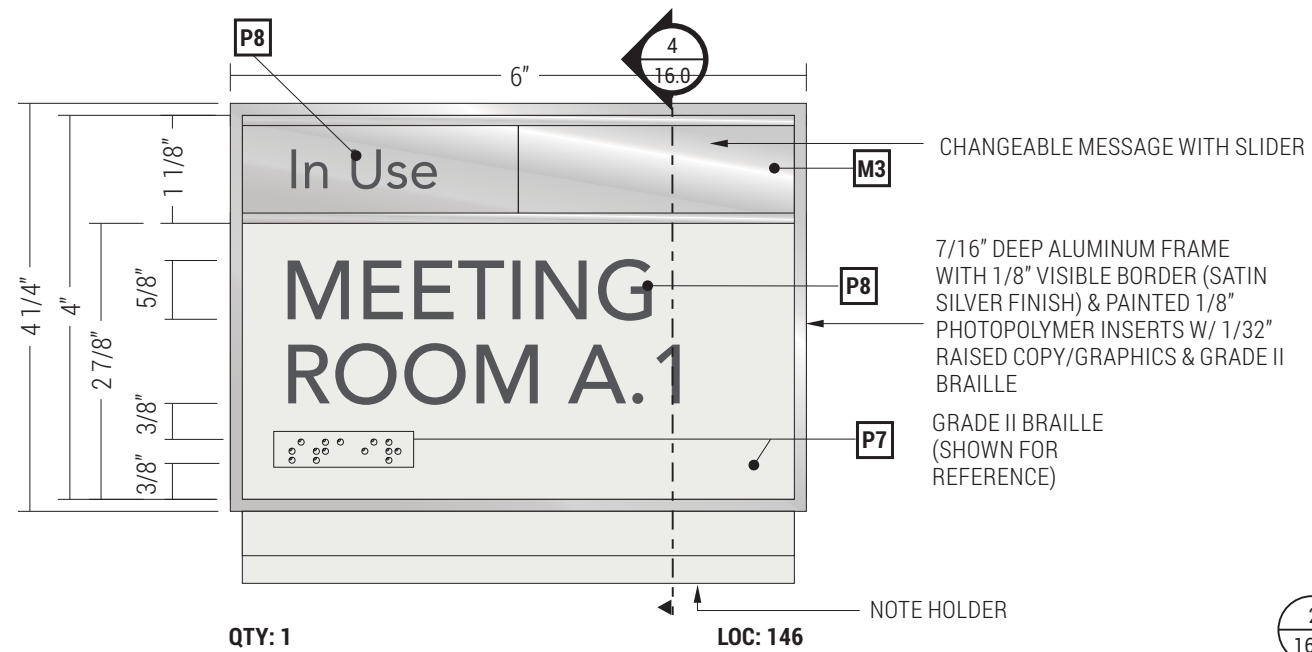
2 SIDE VIEW - ST 11.3A  
15.0 Scale: 1:2



4 INSTALLATION - ST 11.3A  
15.0 Scale: 3/8" = 1'-0"



4 CUT SECTION DETAIL - ST 11.4  
Scale: 1:1



QTY: 1

LOC: 146

1 FRONT VIEW - ST 11.4  
Scale: 1:2



QTY: 1

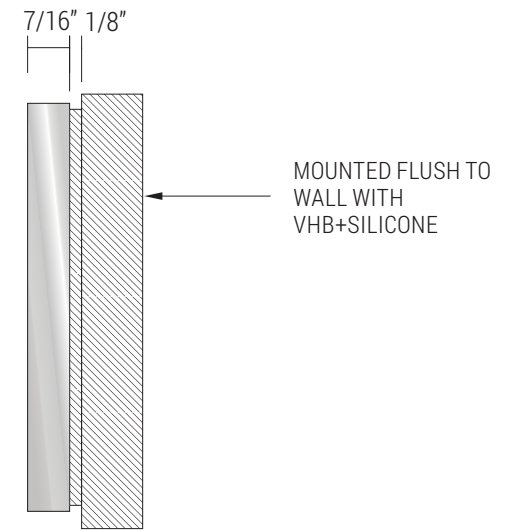
LOC: 149



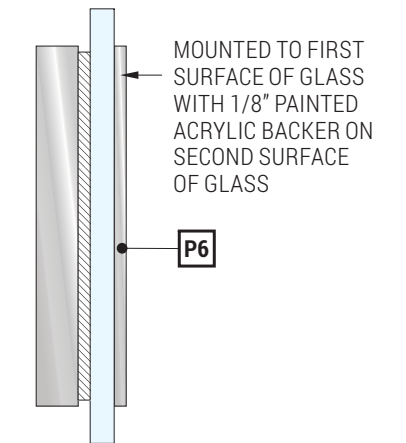
QTY: 1

LOC: 154

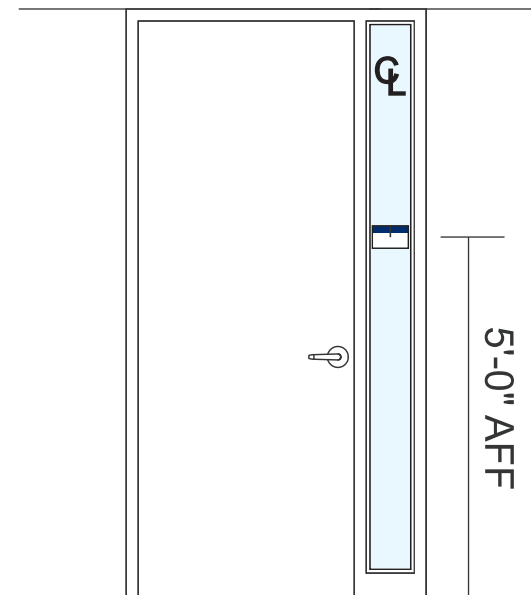
5 MESSAGE SCHEDULE - ST 11.4  
Scale: 3" = 1'-0"



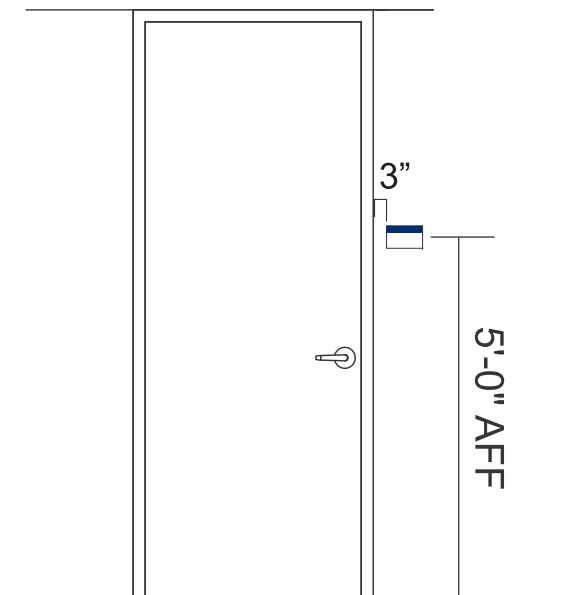
2 SIDE VIEW - ST 11.4  
Scale: 1:2



3 SIDE VIEW - ST 11.4A  
Scale: 1:2



6 INSTALLATION - ST 11.4A  
Scale: 3/8" = 1'-0"

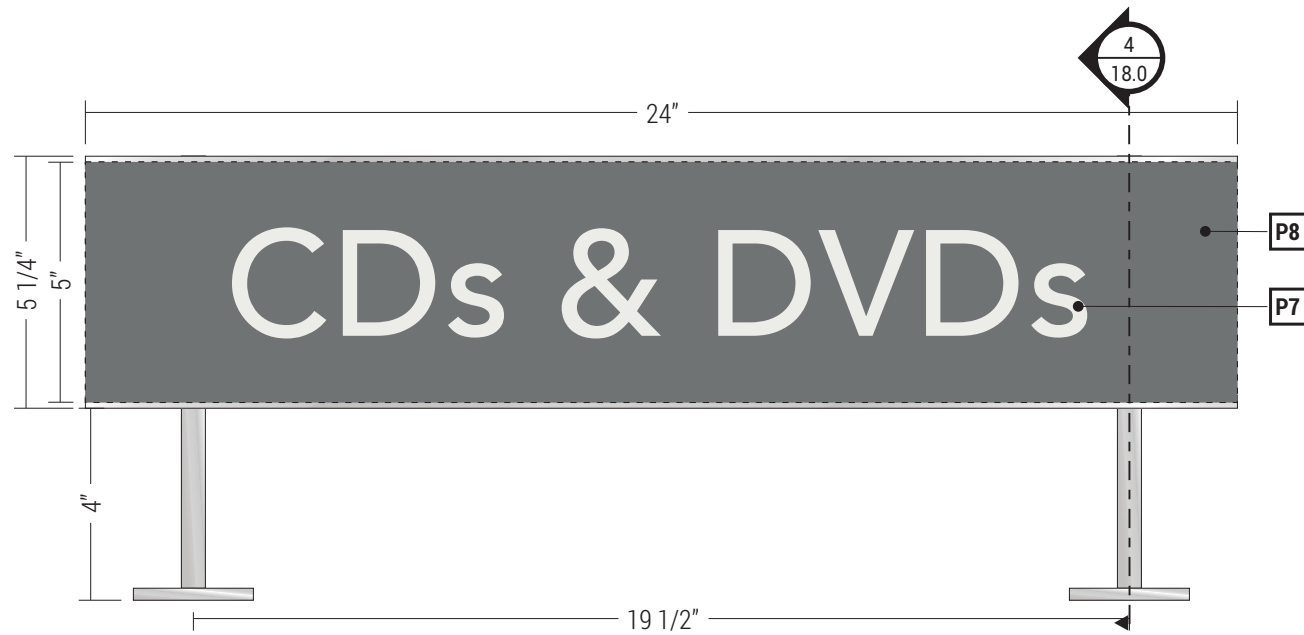


7 INSTALLATION - ST 11.4  
Scale: 3/8" = 1'-0"

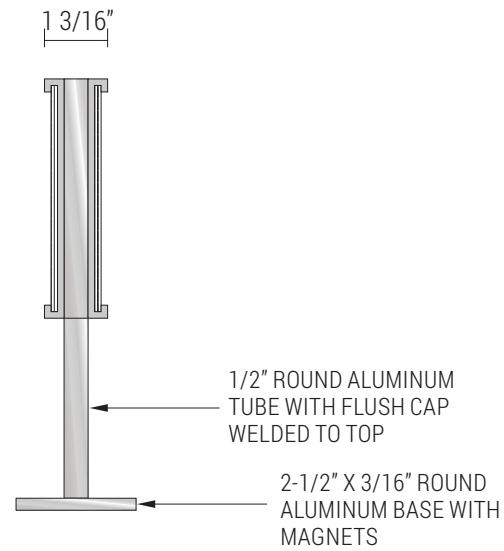




2 TOP VIEW - ST 12.3  
19.0 Scale: 3" = 1'-0"



1 FRONT VIEW - ST 12.3  
19.0 Scale: 3" = 1'-0"

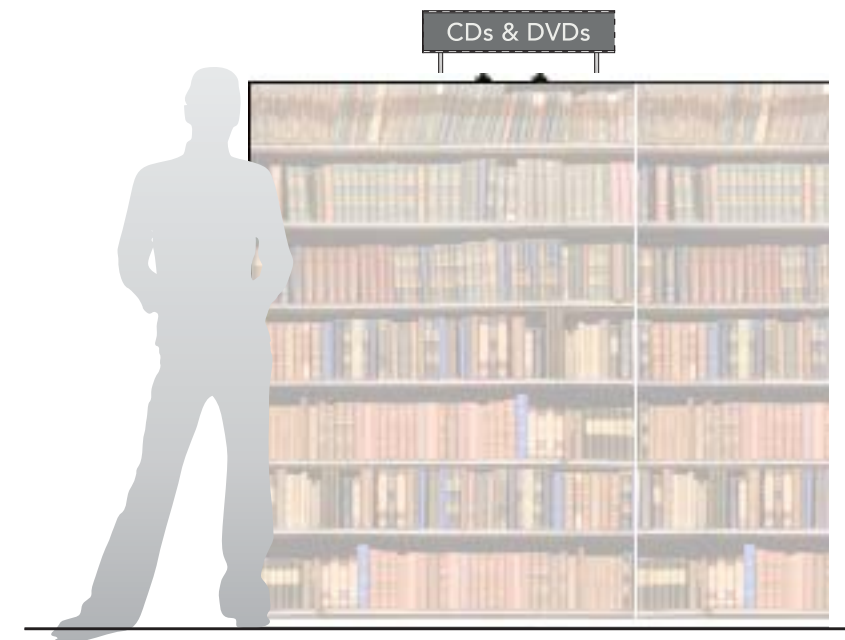


3 SIDE VIEW - ST 12.3  
19.0 Scale: 3" = 1'-0"

Fiction	Holds	Non-Fiction
Large Print	Periodicals	Non-Fiction
Fiction	Non-Fiction	Fiction
Computers	Periodicals	New Materials

4 MESSAGE SCHEDULE  
19.0 Scale: 3" = 1'-0"

MESSAGE SCHEDULE TBD



6 INSTALLATION - ST 12.3  
19.0 Scale: 1/2" = 1'-0"

**LEGEND**

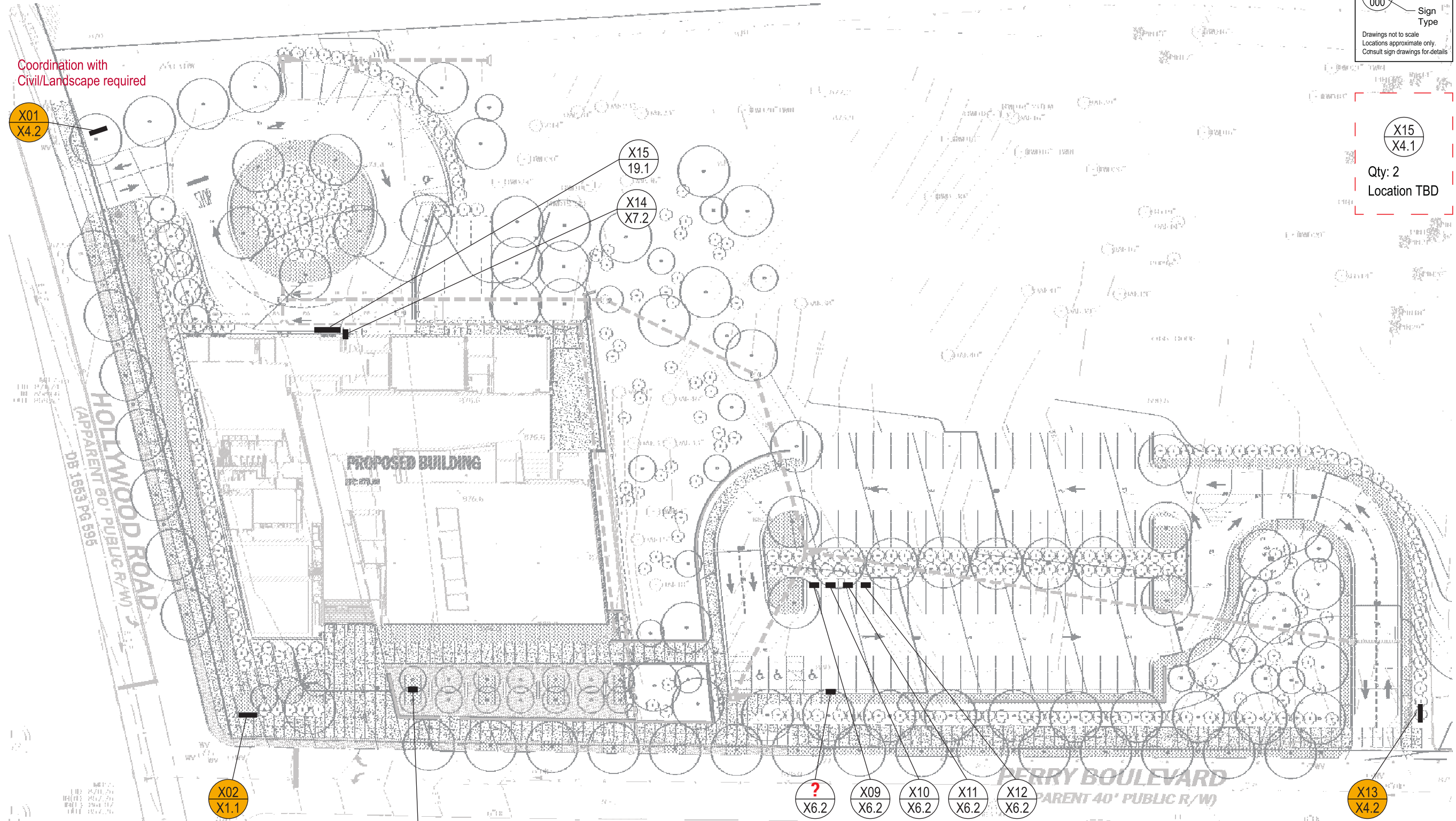
000 Sign number  
000 Sign Type

Drawings not to scale  
Locations approximate only.  
Consult sign drawings for details

X15  
X4.1

Qty: 2  
Location TBD

Coordination with  
Civil/Landscape required



X02  
X1.1

Coordination with  
Civil/Landscape required

X03  
X7.1

X15  
19.1

X14  
X7.2

?  
X6.2

X09  
X6.2

X10  
X6.2

X11  
X6.2

X12  
X6.2

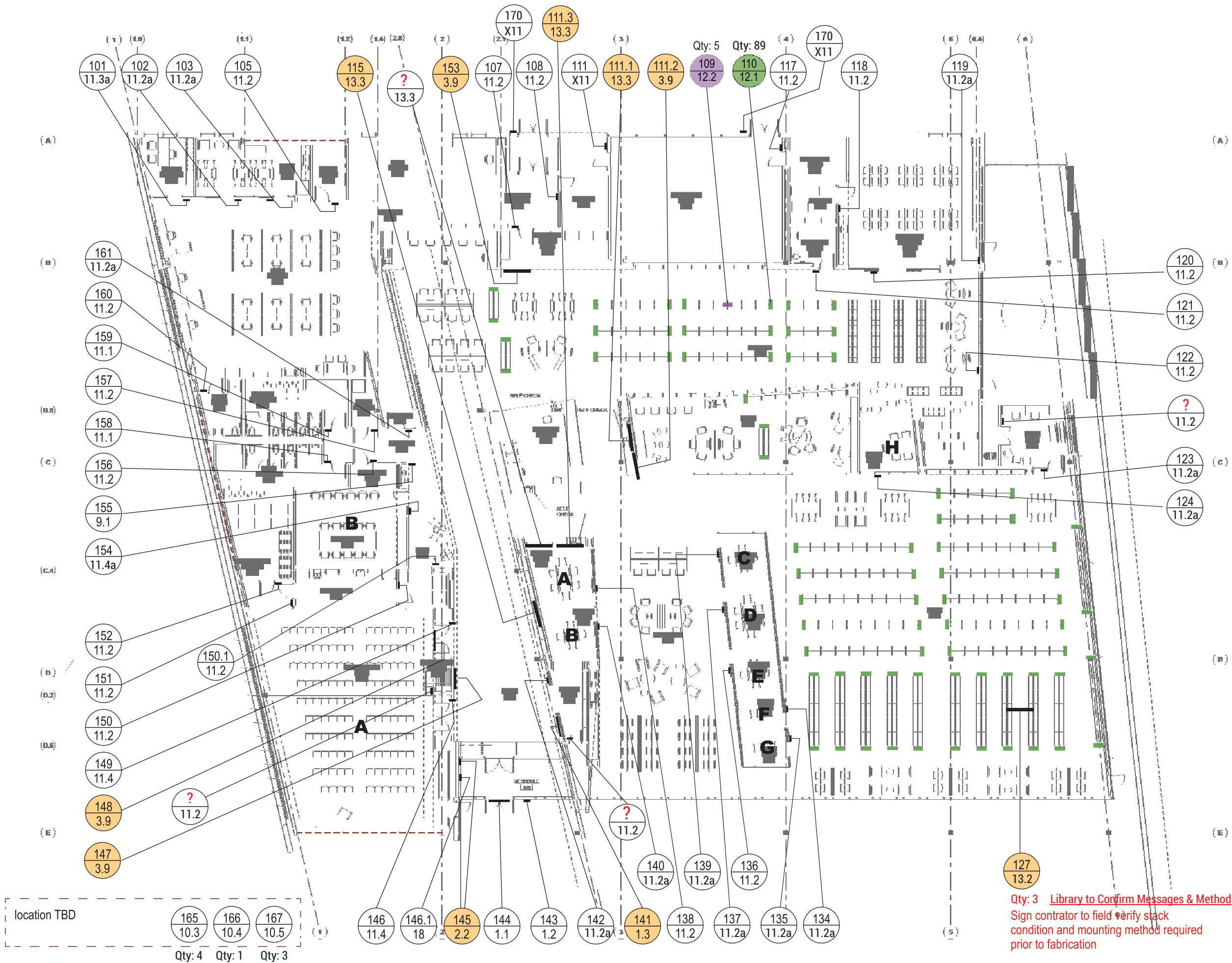
X13  
X4.2

Coordination with  
Civil/Landscape required

**LEGEND**

Sign number  
 Sign Type

Drawings not to scale  
 Locations approximate only.  
 Consult sign drawings for details



Qty: 3 Library to Confirm Messages & Method  
 Sign contractor to field verify stack condition and mounting method required prior to fabrication